

ACCESSORIES
CATALOG



Accessories
Robik Q30





Introduction

The Robik Q30 accessory line is designed to extend and customize the machine's functionality based on specific operational needs. Each element is engineered to ensure structural integration, reliability, and high performance.

From handling couplings to safety systems, from wheel configurations to smart devices, all components offer modularity, efficiency, and ease of use in high-intensity industrial and logistics environments.

Developed in synergy with our technical department, Robik accessories allow you to build a customized solution, optimizing time, precision, and operational safety.



Index

LIFTING	8
Tubular Coupling	8
Bare standard coupling.....	9
“C” Shaped Lifting Plate	10
KTMS Lifting Plate	11
STD Lifting Support Plate.....	12
Carpont Coupling	13
CARTER	16
External Stainless steel casing	16
TRACTION	18
Eco STD Wheels	18
Polyurethane Wheels.....	19
Solid Superelastic Wheels.....	20
Mixed-Composition Wheels.....	21
STD Gear reducer.....	22
Orthogonal Gear reducer	23
Gear Reducer $i=1/10$.....	24
STEERING	26
Standard Polyurethane Steering Wheels	26
Solid Superelastic Steering Wheels.....	27
POWER SUPPLY	30
Single lithium battery	30
Lithium Batteries in Parallel	31
Lithium Batteries in Parallel fast-charger	32



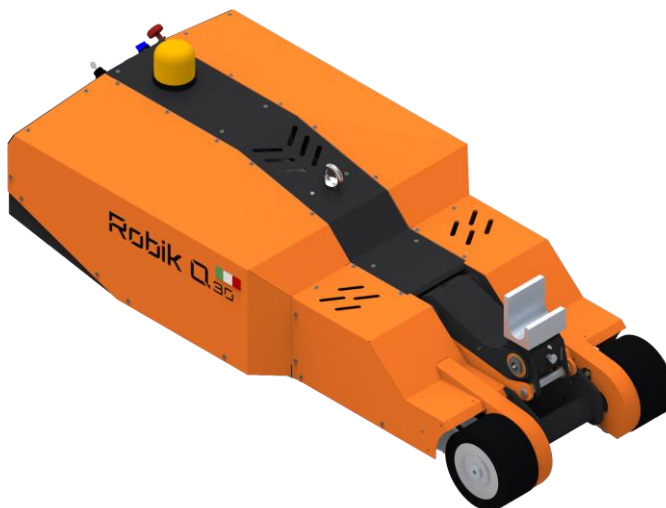
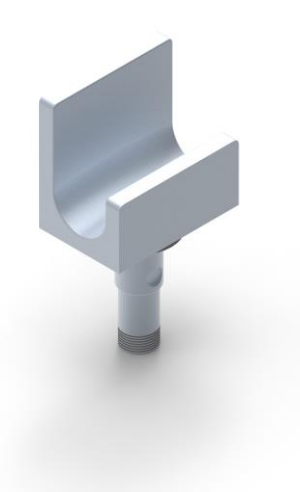
VARIOUS ACCESSORIES 34

- STD GALVANIZED bolts..... 34**
- Stainless steel bolts..... 35**
- Ballast36**
- Horn 37**
- Electromagnetic brake release 38**
- Antenna range increase..... 39**
- Interface 4.0 40**

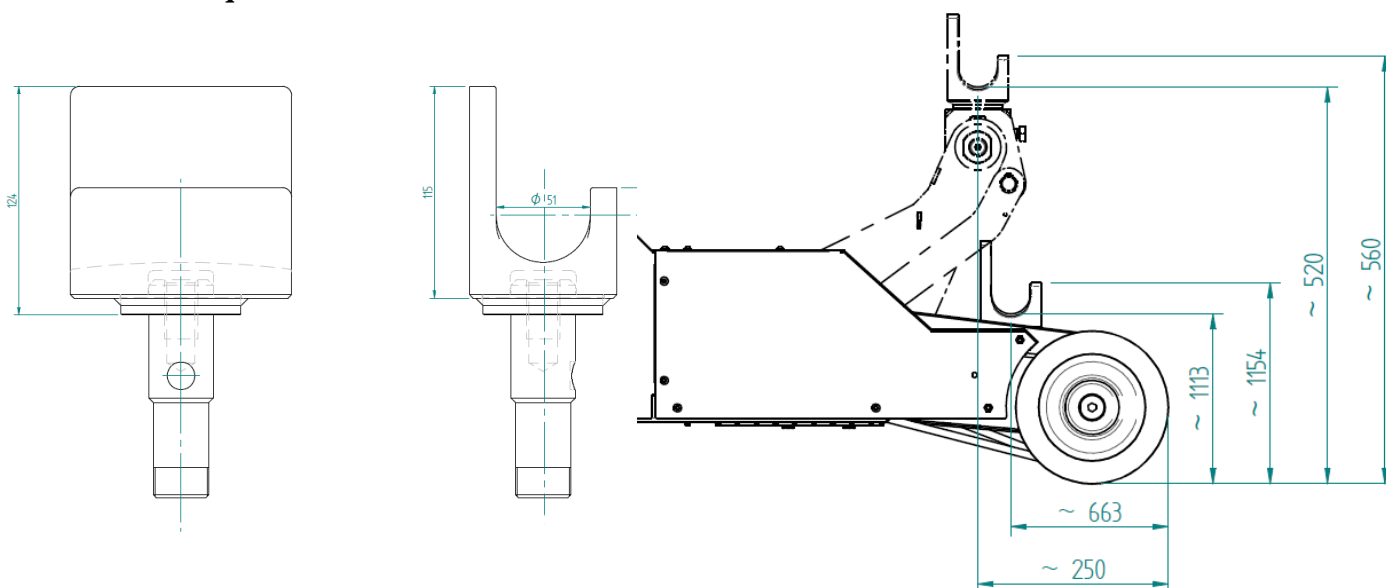
A black and white photograph of a large industrial factory floor. The scene is filled with complex machinery, including robotic arms and conveyor systems. The ceiling is high with a dense network of steel beams and pipes. In the foreground, a large, cylindrical piece of equipment is mounted on a stand. The floor is polished and reflects the overhead lights. An orange banner is overlaid on the right side of the image, containing the word 'LIFTING' in white, bold, capital letters.

LIFTING

Tubular coupling



Dimensional quotas:

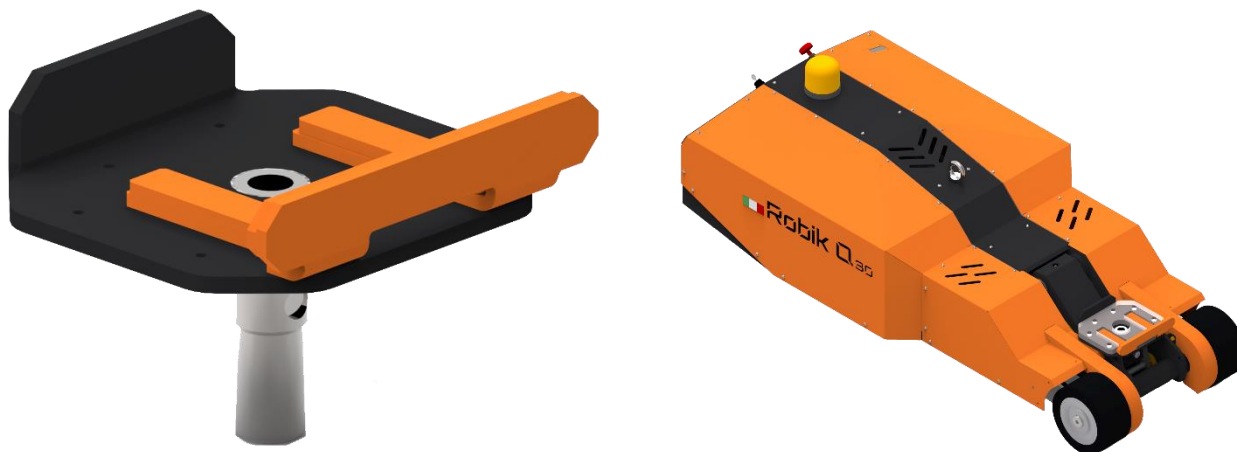


Code: Set_Q30_INTERF_TUB_SOL

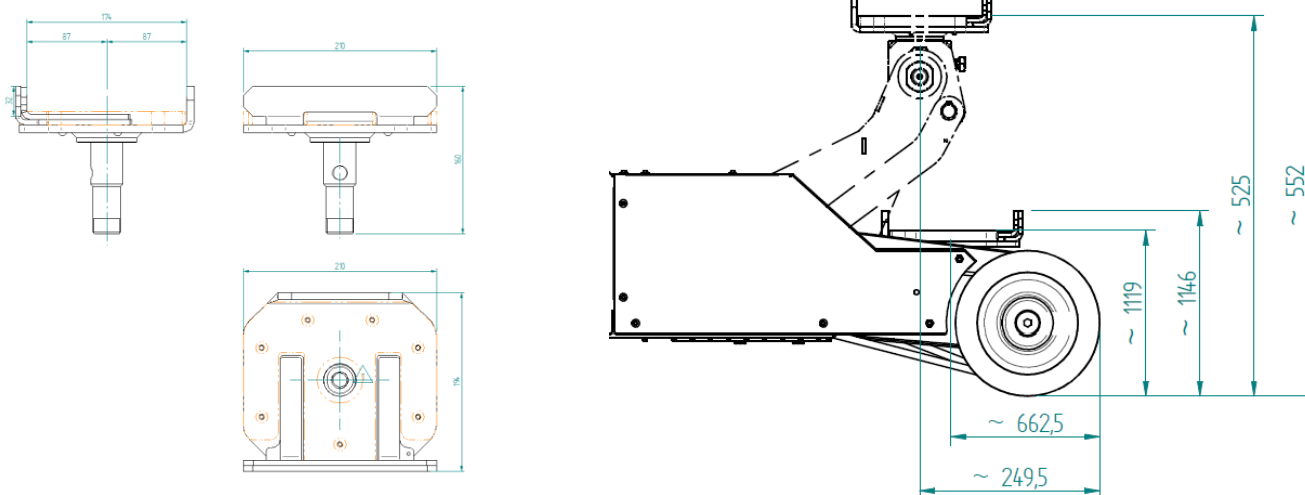
Description: Designed for lifting and towing trolleys with tubular protrusions less than 50 mm in diameter, it guarantees maximum stability during use. The radiused geometry ensures constant support on two points, eliminating the risk of imbalance during maneuvers.

Notes: consultation with the technical office recommended.

Bare standard coupling



Dimensional quotas:



Code: Set_Q30_P_SOL_STD

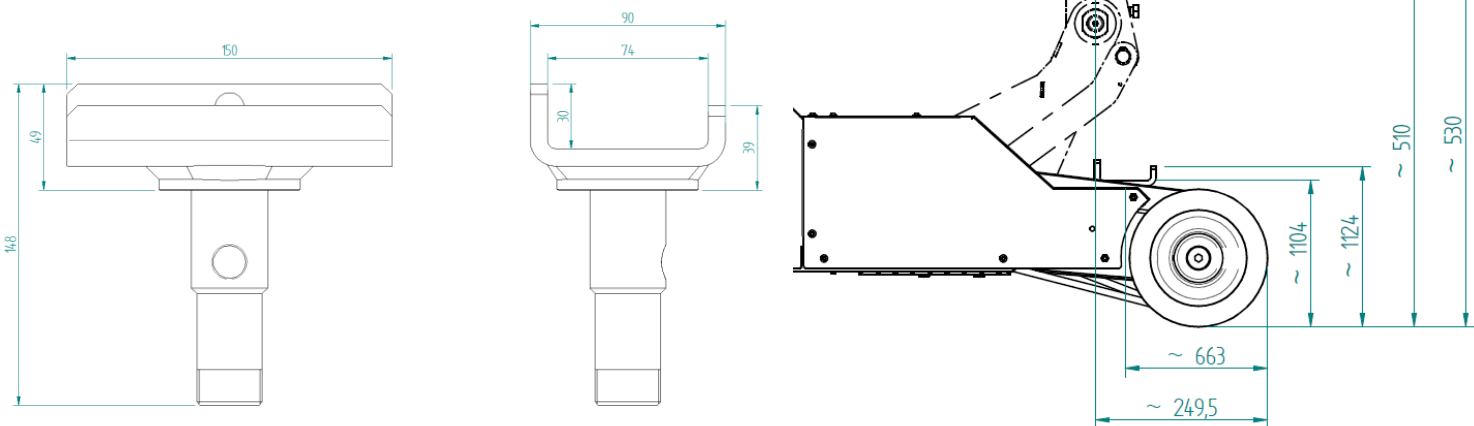
Description: Ideal for lifting and towing trolleys or wheeled structures with a flat support base. Equipped with a manually adjustable counterplate in two positions, it allows for versatile and safe coupling. Supplied as standard with the machine.

Notes: it is recommended to associate the code "Set_Q30_P_SOL_COMP_MULTI".

"C" Shaped Lifting Plate



Dimensionals quotas:



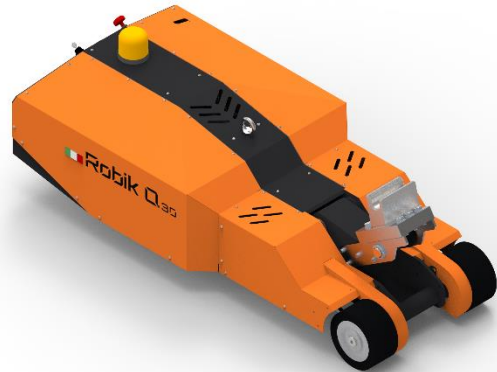
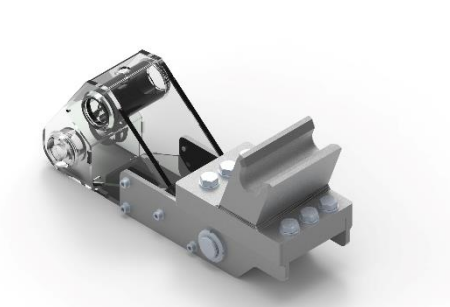
Code: Set_Q30_P_SOL_C_8x9x3x15

Description: Accessory designed for lifting and towing trolleys equipped with tubular square-section protrusions. The plate can accommodate tubular elements with a maximum depth of approximately 72 mm and features a threaded hole that allows fastening with a manually tightened screw or with tools, increasing stability during handling.

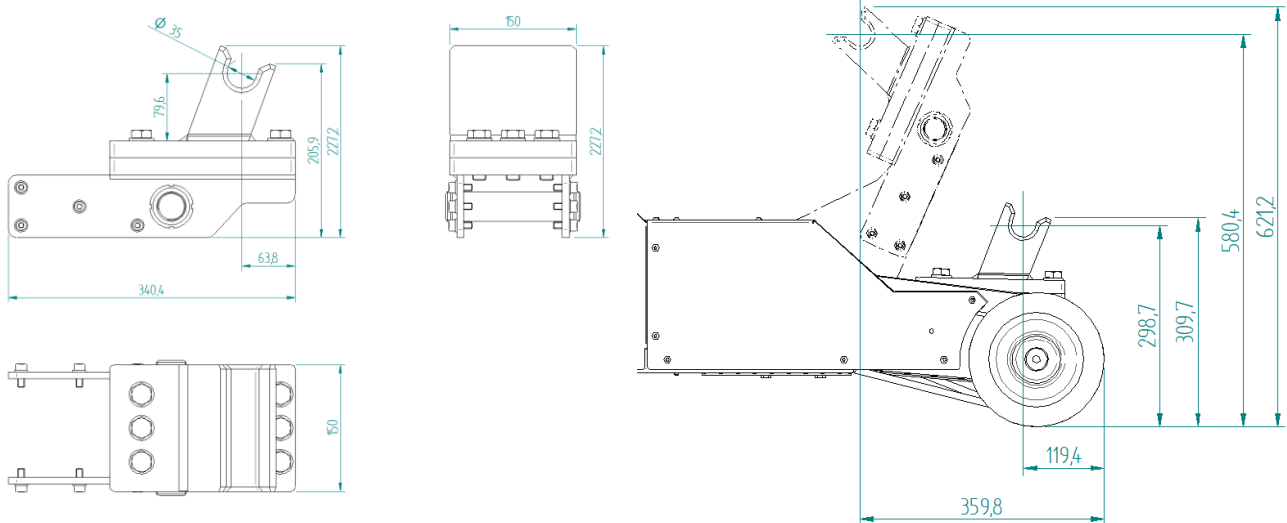
It ensures safe and efficient operation, while always requiring maximum care when moving loads.

Notes: Consultation with the technical department is recommended for use.

KTMS Lifting Plate



Dimensional quotas:



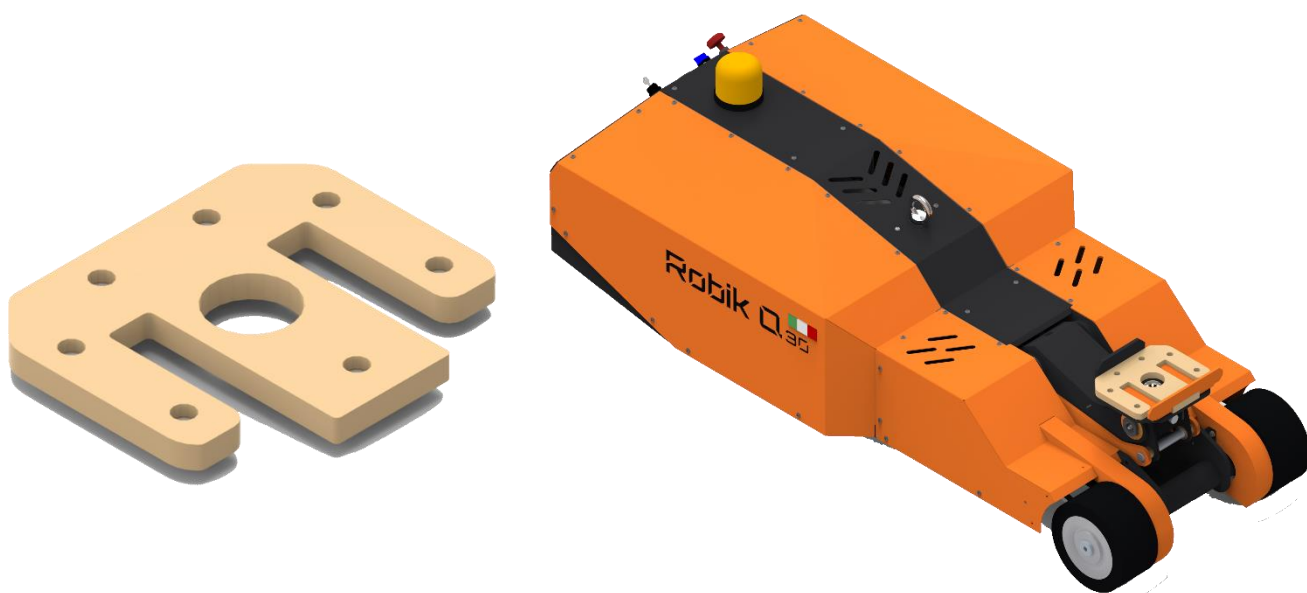
Code: Set_Q30_KTMS_SOLL

Description: This coupling is designed to be configured at the time of machine purchase, as it is assembled directly onto the lifting arm system. It is intended for lifting and moving trolleys with tubular protrusions up to $\varnothing 35$ mm.

Unlike the Tubular coupling, the KTMS is fixed and non-rotating, ensuring a more stable and secure attachment. Its design is mainly intended for pushing trolley

Note: Consultation with the technical department is recommended for use and for any customization requirements.

STD Lifting Support Plate

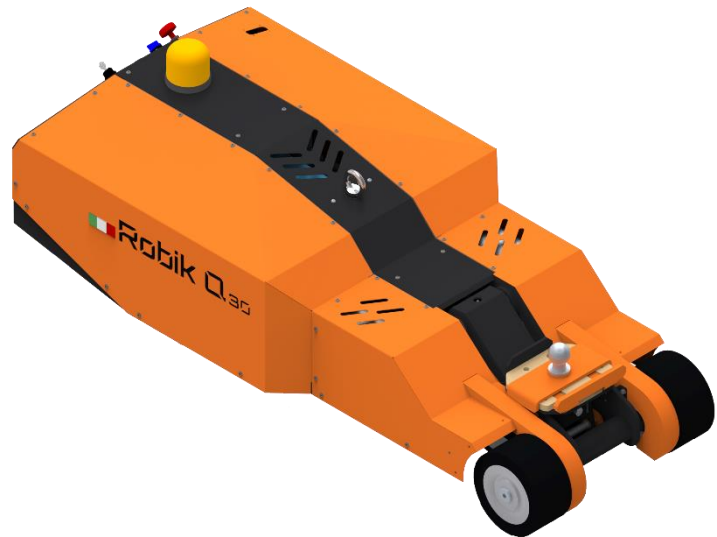
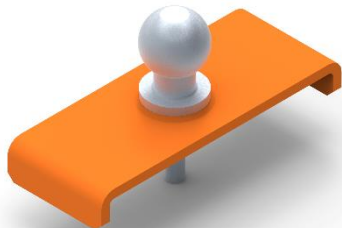


Code: Set_Q30_P_SOL_COMP_MULTI

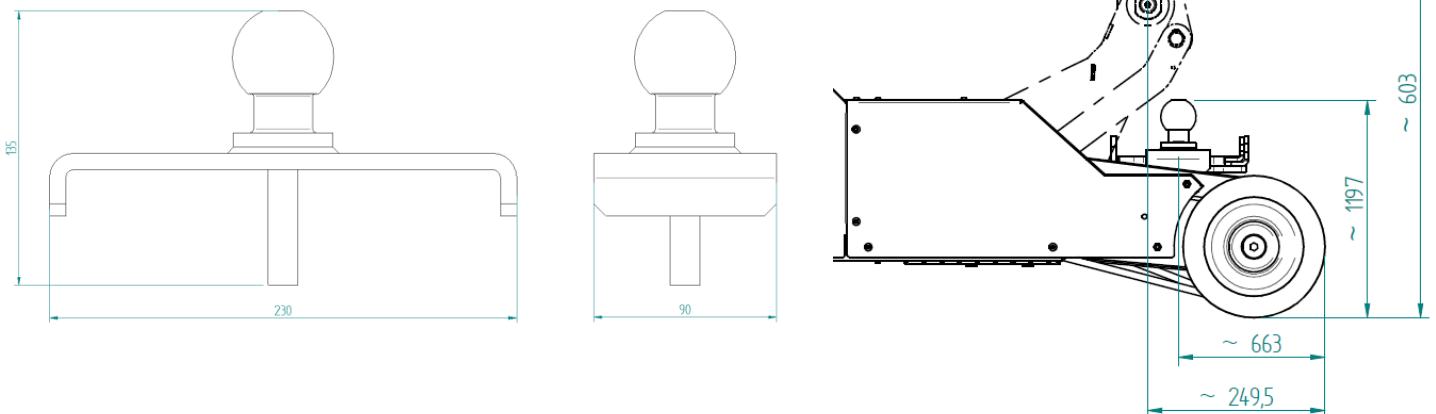
Description: Accessory designed to protect the attachment points thanks to its surface resistant to abrasion and exposure in saline environments. It does not damage the structures in contact and ensures a secure and long-lasting grip even under demanding conditions.

Notes: It must be associated with the code 'Set_Q30_P_SOL_STD'

Carpoint Coupling



Dimensional quotas:



Code: Set_Q30_P_CARPNT_SOLL

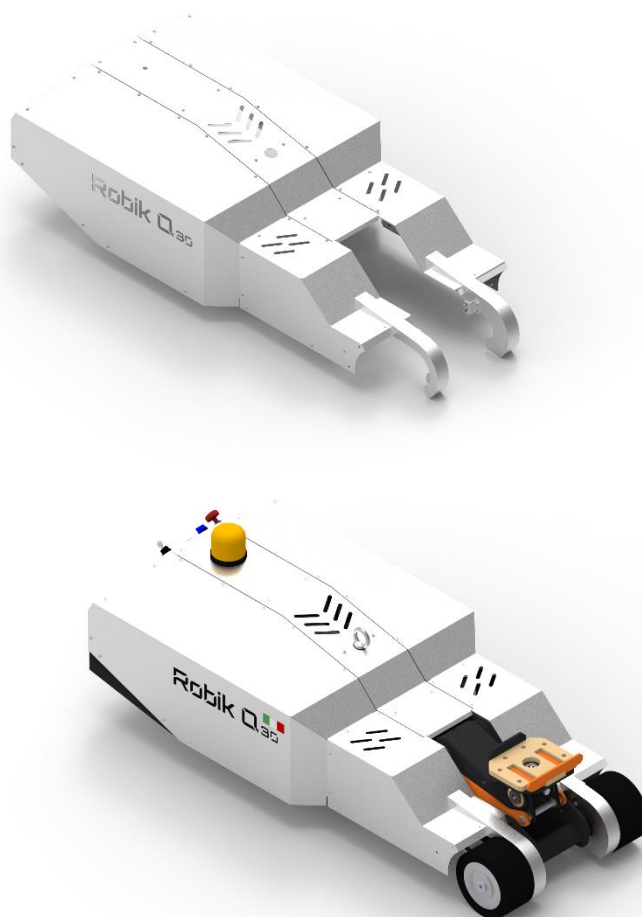
Description: This coupling is designed to be integrated and used with the sets 'Set_Q30_P_SOL_STD' and 'Set_Q30_P_SOL_COMP_MULTI'. The mounting system is quick and convenient thanks to the direct-insertion pin, which requires no tightening operations. The coupling ball, with a standard diameter of $\varnothing 50$ mm, complies with typical intralogistics applications, ensuring compatibility and efficiency in handling operations.

Notes: Consultation with the Technical Department is recommended for use.



CARTER

External Stainless steel casing



Code: Set_Q30_CAR_INOX

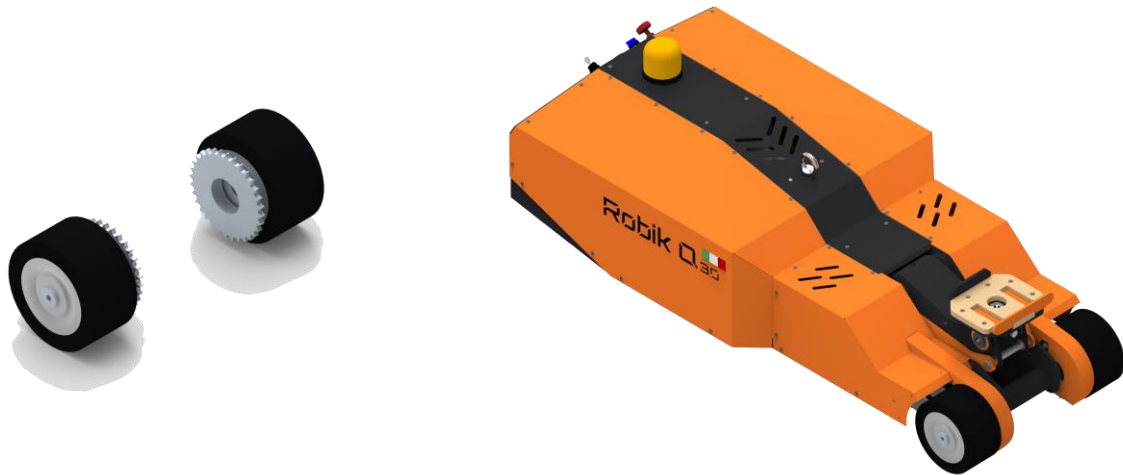
Descrizione: 316 stainless steel protective casing, designed for maximum resistance in saline and marine environments. Ideal for marine applications, it guarantees durability, protection, and reliability even in the presence of seawater.

Notes: Ideal for marine storage facilities.

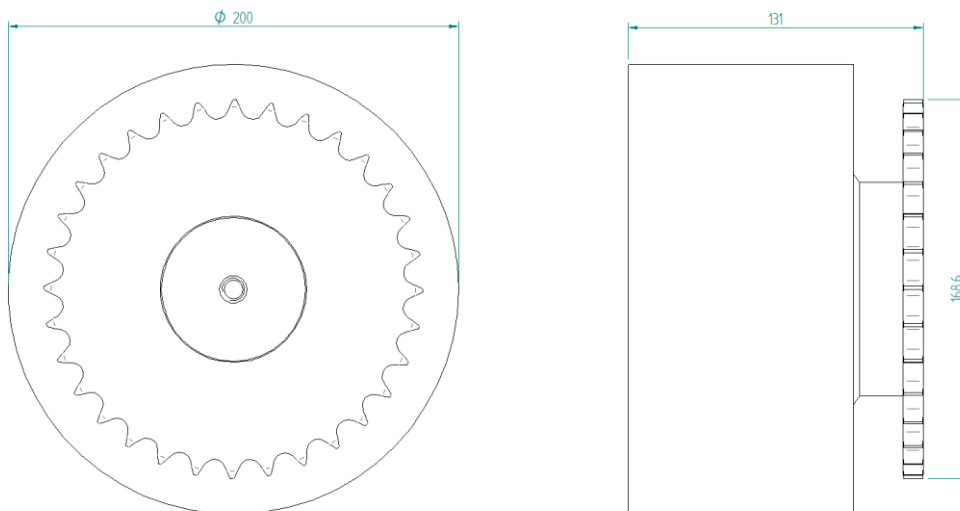
A black and white photograph of a large industrial factory floor. The scene is filled with complex machinery, including several robotic arms and conveyor systems. The ceiling is high and supported by a dense network of steel beams, with various pipes and cables running across it. The floor is polished and reflects the overhead lights. In the foreground, a large, cylindrical component of a machine is visible, connected to a network of pipes and hoses. The overall atmosphere is one of a busy, modern manufacturing environment.

TRACTION

Eco STD Wheels



Dimensional quotas:

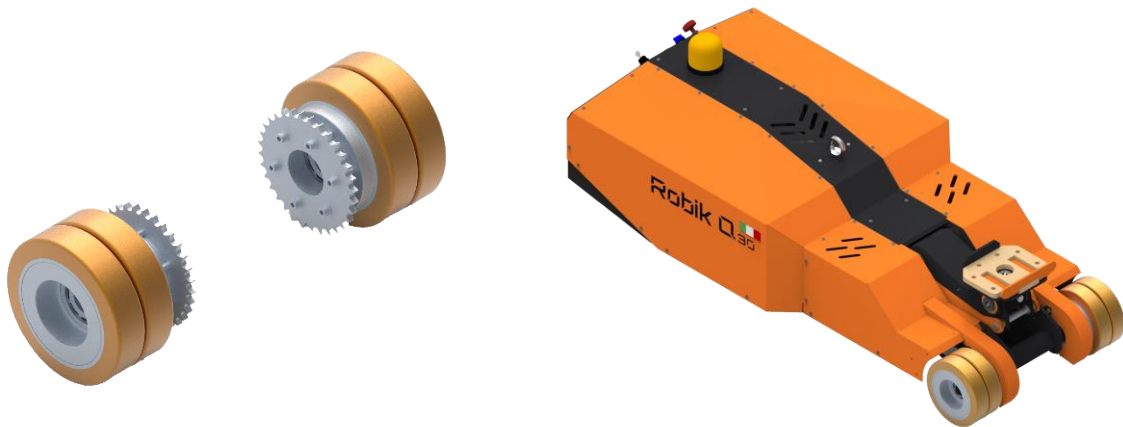


Code: Set_Q30_RUO_E_STD

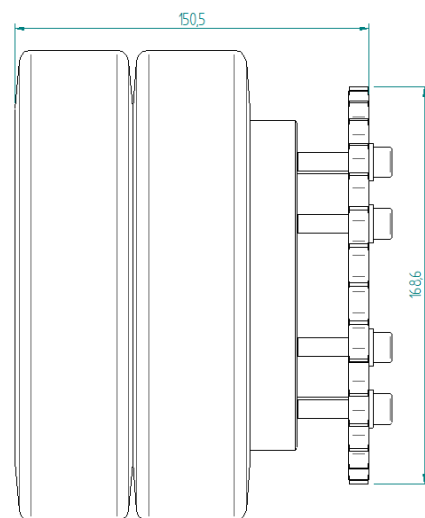
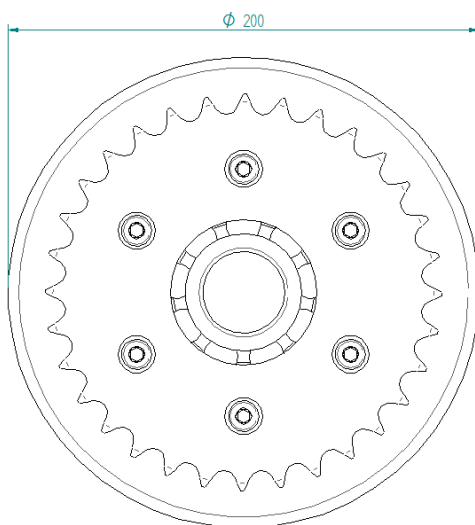
Description: Designed for handling heavy loads up to 3 tons, they offer high resistance thanks to the double polyurethane cushion. Ideal for industrial environments, they ensure durability and reliable performance even under maximum or slightly lower loads.

Notes:

Polyurethane Wheels



Dimensional quotas:

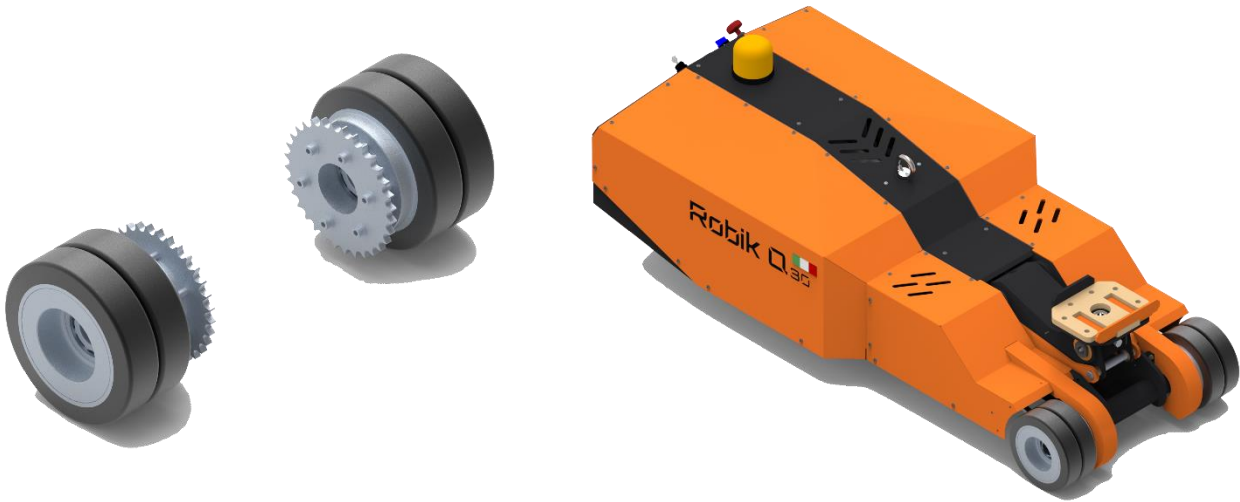


Code: Set_Q30_RUO_POL

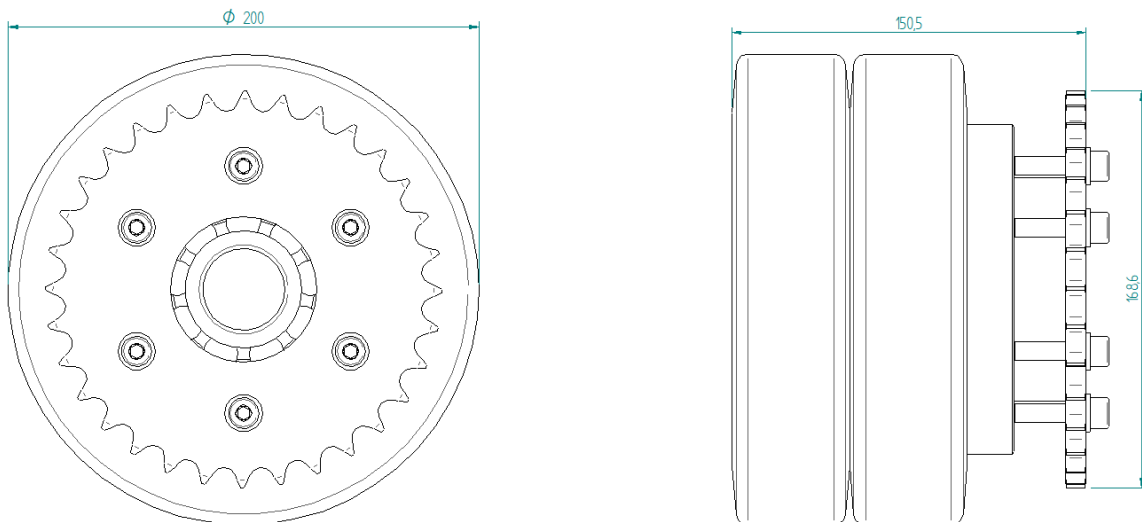
Description: Designed for handling heavy loads up to 3 tons, they offer high resistance thanks to the double polyurethane cushion. Ideal for industrial environments, they ensure durability and reliable performance even under maximum or slightly lower loads.

Notes:

Solid Superelastic Wheels



Dimensional quotas:

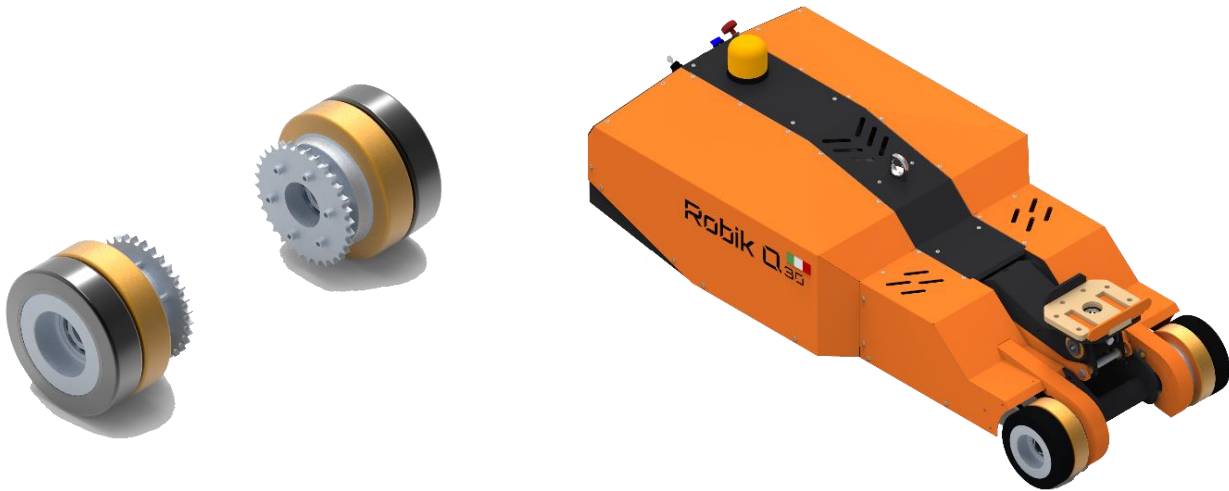


Code: Set_Q30_RUO_SEL

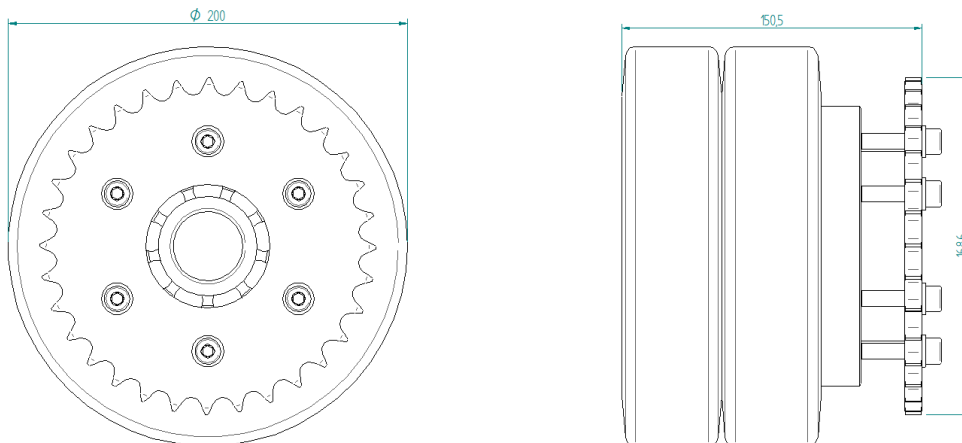
Description: Ideal for handling medium to light loads on uneven surfaces. The double superelastic rubber cushion ensures excellent ground adhesion and effective absorption of irregularities, reducing vibrations and shocks. Greater grip, lower load capacity, for smoother traction in challenging conditions.

Notes:

Mixed-Composition Wheels



Dimensional quotas:

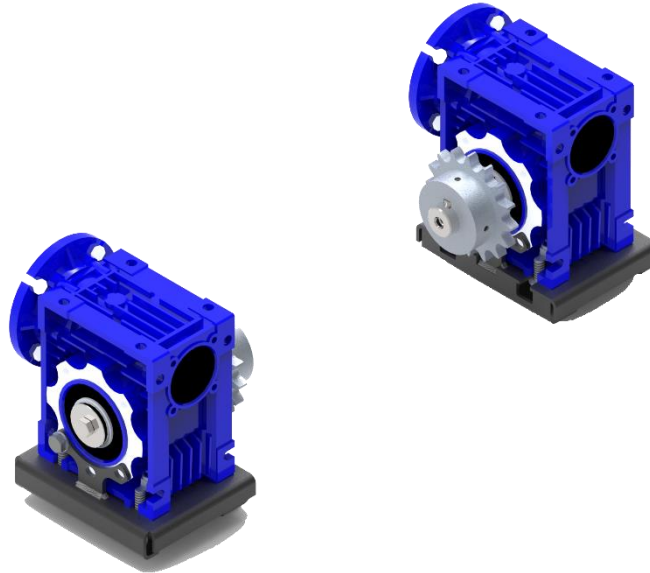


Code: Set_Q30_RUO_MISTE

Description: Designed for medium to heavy loads and moderately uneven surfaces, they combine performance and versatility. The double inner polyurethane cushion and outer superelastic rubber cushion ensure effective absorption of irregularities, excellent ground grip, and balanced load capacity. The ideal choice for industrial environments requiring reliable traction and operational comfort.

Notes:

STD Gear reducer



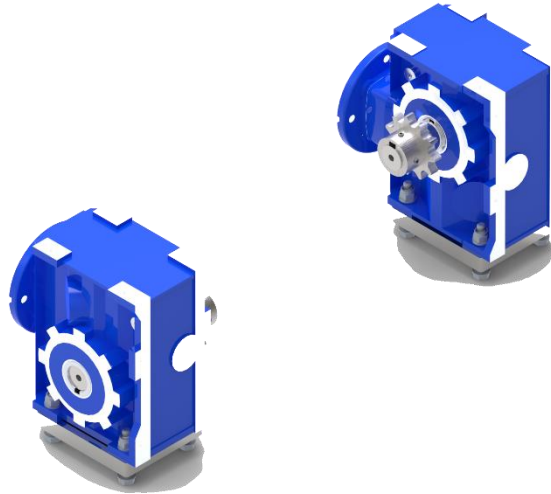
Code: Set_Q30_RID_VSF_STD

Description: Worm gear reducers designed to ensure reliability and durability in Robik Q30 traction applications. The configuration with a reduction ratio of $i=1/20$ provides an optimal balance between torque and output speed, making them suitable for standard working conditions.

The system features permanent oil-bath lubrication, which reduces wear and ensures quiet and consistent operation over time. Their compact design allows easy integration while maintaining high mechanical efficiency

Note:

Orthogonal Gear Reducer

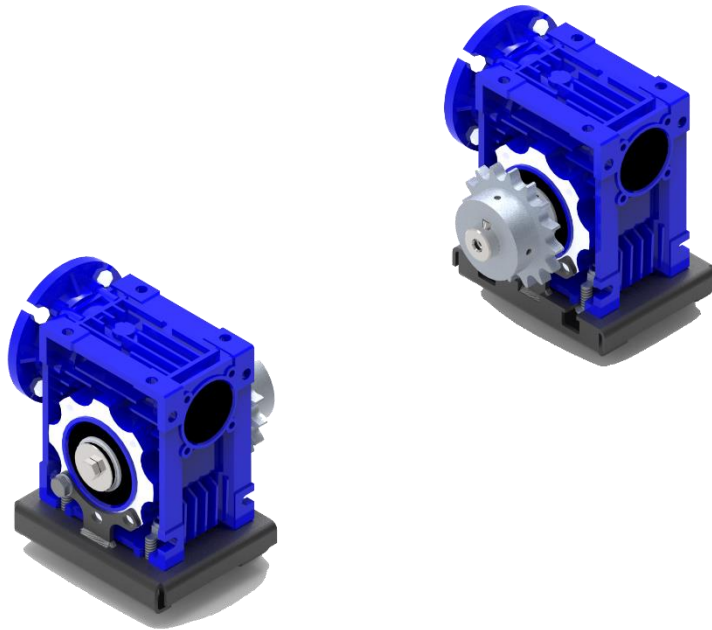


Code: Set_Q30_RID_ORT

Description: Compact orthogonal gear reducer, designed for integration with the Robik Q30. With a reduction ratio of $i=1/14$, it provides an excellent balance between output speed and available torque, making it ideal for handling applications that require responsiveness and precision.

The oil-bath gear construction ensures continuous lubrication, reliability, and long operational life, reducing friction and maintenance.

Gear Reducer $i=1/10$



Code: Set_Q30_RID_VSF_i10

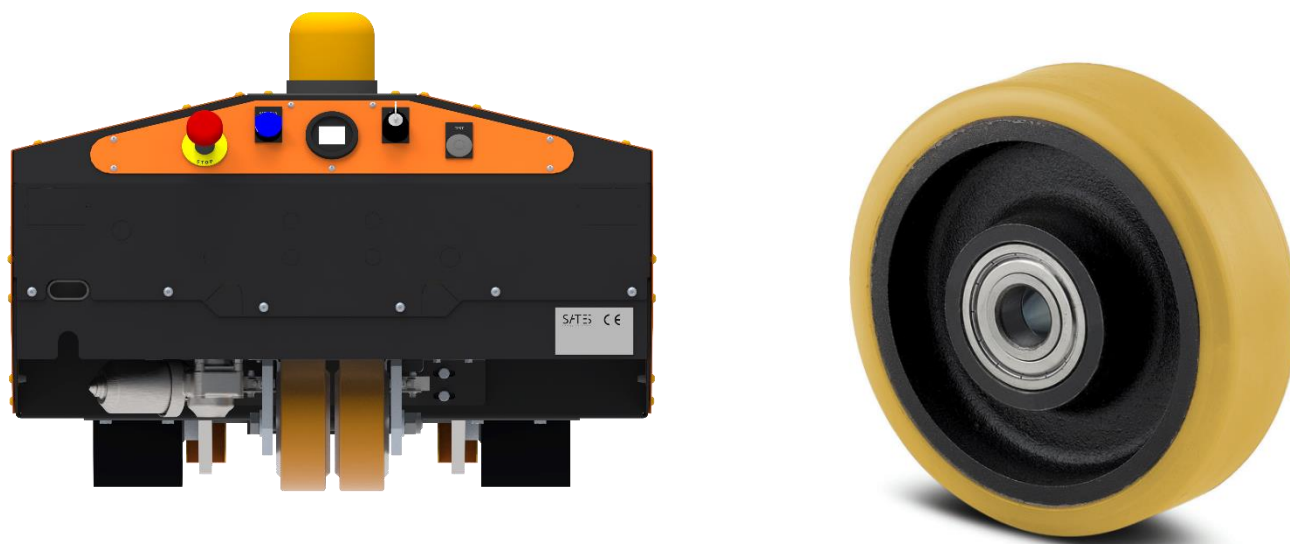
Description: Oil-bath worm gear reducer designed to ensure maximum reliability and long service life. With a reduction ratio of $i=1/10$, it provides a higher output speed compared to other ratios while still maintaining adequate torque for light to medium handling applications.

Continuous lubrication ensures reduced wear, quiet operation, and lower maintenance requirements, making it a simple and robust solution for use with the Robik Q30.

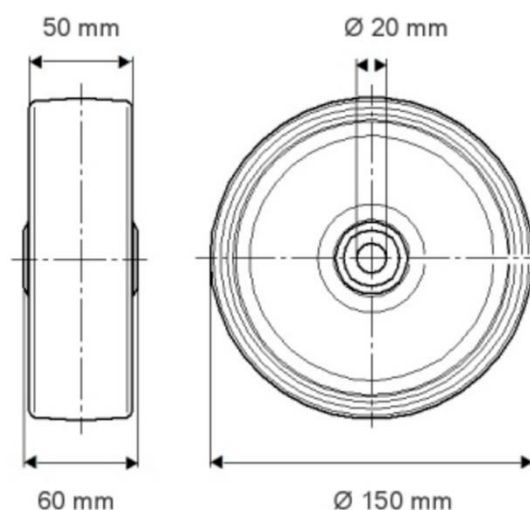
A black and white photograph of an industrial factory floor. The scene is filled with complex machinery, including several robotic arms and conveyor systems. The ceiling is high and supported by a network of steel beams, with various pipes and cables running across it. The floor is concrete and shows signs of industrial use, with some markings and a safety barrier in the foreground. The overall atmosphere is one of a busy, automated manufacturing environment.

STEERING

Standard Polyurethane Steering Wheels



Dimensional quotas:

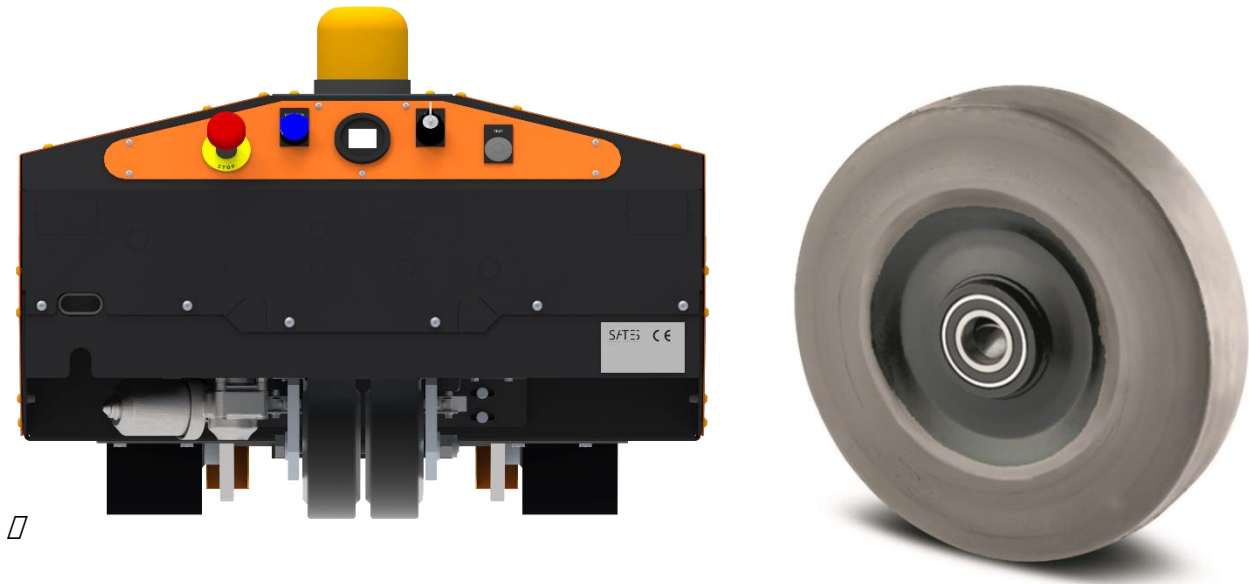


Code: Set_Q30_RUO_STRZ_STD

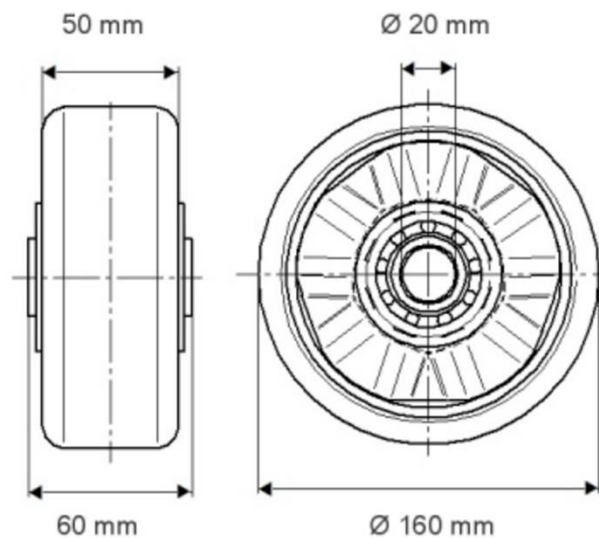
Description: Designed to ensure maneuverability with medium to heavy loads, it offers high load capacity thanks to the high-resistance polyurethane cushion. Ideal for industrial environments with regular flooring, it provides smooth and precise steering even under stress.

Notes: Supplied as standard with the machine.

Solid Superelastic Steering Wheels



Dimensional quotas:



Code: Set_Q30_RUO_STRZ_ECO

Description: Designed for steering with medium to light loads, it offers excellent ground grip thanks to the solid gray superelastic cushion. Ideal for environments with uneven flooring, it ensures stability, maneuvering comfort, and reduced vibrations.

Notes: Recommended to be used with the sets 'Set_Q30_RUO_SE' and 'Set_Q30_RUO_E_STD'

A black and white photograph of a large industrial factory floor. The scene is filled with complex machinery, including several robotic arms and conveyor systems. The ceiling is high and supported by a network of steel beams, with various pipes and cables running across it. The floor is marked with safety lines and has a polished, reflective surface. The overall atmosphere is one of a busy, modern manufacturing environment.

POWER SUPPLY

Single lithium battery

Greater autonomy



Dimensions: L290 x W205 x H230

Code: Set_LIT_24V_1BTT

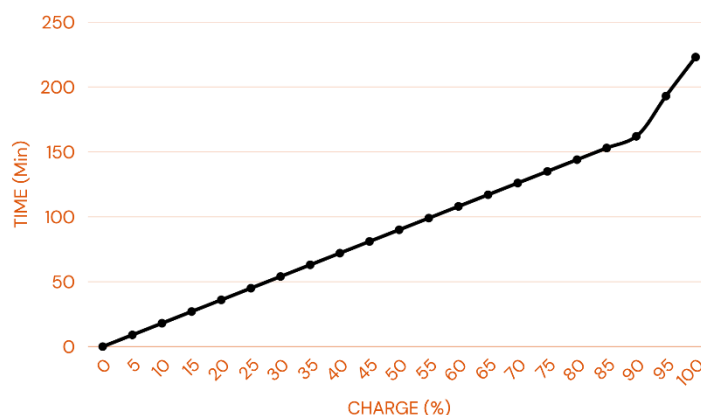
Description: High-performance LiFePO₄ lithium battery, specifically designed for deep-cycle use, with over 3,000 life cycles. Capacity of 25.6V – 60Ah (1.54 kWh), ideal for high-efficiency industrial applications.

IP65 protection rating, equipped with an external display for SOC monitoring and error diagnostics.

Note: Includes dedicated high-frequency charger 24V – 20Ah



TABLE CORRELATION
TIME (Min) – CHARGE (%)



PLEASE NOTE: Charging times are indicative only.

Lithium Batteries in Parallel

Greater Autonomy



Dimensiones: L290 x W205 x H230

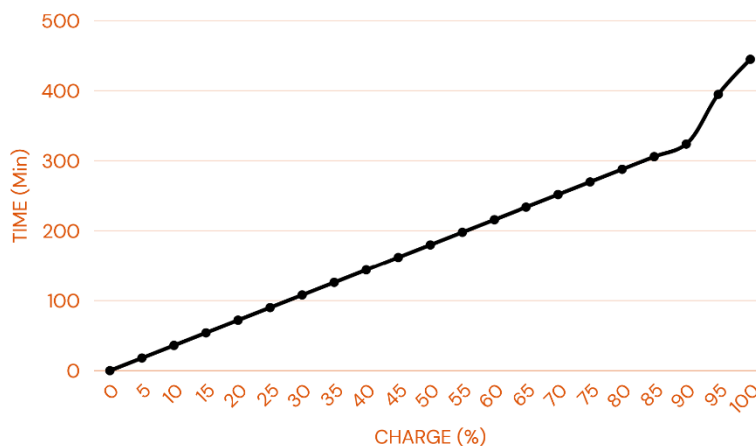
Code: Set_LIT_24V_2BTT

Description: Configuration with 2 batteries connected in parallel for a total capacity of 25.6V – 120Ah (3.08 kWh), ideal for high-demand cyclical applications. LiFePO₄ Deep Cycle technology with over 3,000 life cycles, IP65 protection, and continuous output up to 120A. Each battery is equipped with an independent SOC display for monitoring charge status and error diagnostics.

Notes: Includes dedicated high-frequency charger 24V – 20Ah



TABLE CORRELATION
TIME (Min) - CHARGE (%)



PLEASE NOTE: Charging times are indicative only.

Lithium Batteries in Parallel - Fastcharger

Greater autonomy - Fastcharger



Dimensiones: L290 x l205 x h230

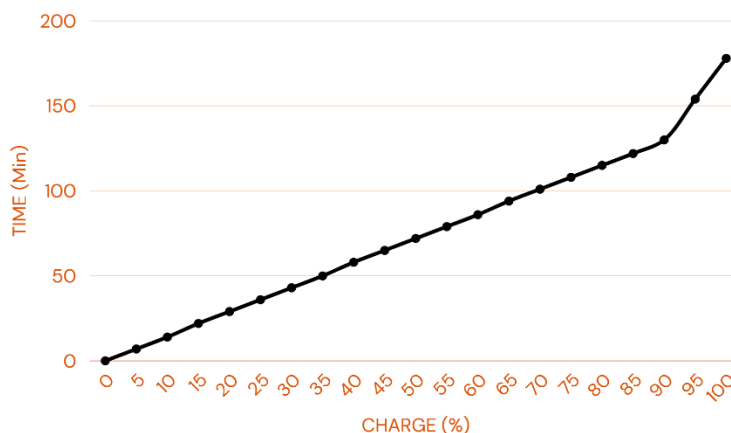
Code: Set_LIT_24V_2BTT_FST_CHRGR

Description: Configuration with 2 batteries connected in parallel for a total capacity of 25.6V – 120Ah (3.08 kWh), ideal for high-demand cyclical applications. LiFePO₄ Deep Cycle technology with over 3,000 life cycles, IP65 protection, and continuous output up to 120A. Each battery is equipped with an independent SOC display for monitoring charge status and error diagnostics.

Note: Includes dedicated high-frequency 24V – 50A battery charger with Fastcharger charging.



TABLE CORRELATION
TIME (Min) - CHARGE (%)



PLEASE NOTE: Charging times are indicative only.

A black and white photograph of an industrial factory floor. The scene is filled with complex machinery, including several robotic arms and conveyor systems. The ceiling is high and supported by a network of steel beams, with various pipes and cables running across it. The floor is concrete and shows signs of use, with some markings. A blue banner is overlaid on the top right of the image, containing the text 'VARIOUS ACCESSORIES' in white, bold, uppercase letters.

VARIOUS ACCESSORIES

STD GALVANIZED Bolts



Code: Set_Q30_BULL_STD

Description: External bolts treated with anti-corrosion zinc plating, installed as standard on all machines. This guarantees weather resistance and long-lasting durability, even in exposed industrial environments.

Notes: they are supplied with the standard machine.

Stainless steel bolts



Codice Madre: Set_Q30_BULL_INOX

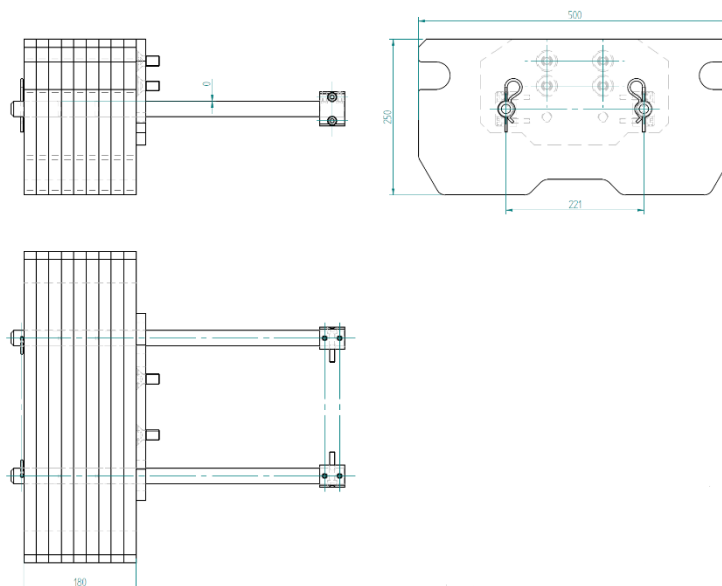
Descrizione: External A2 stainless steel fasteners, recommended for applications in saline or highly corrosive environments. They offer maximum rust resistance and long life, even in exposed marine or industrial environments.

Note: recommended in the nautical sector.

Ballast



Dimensional quotas:



Code: Set_Q30_PESI

Description: Rear counterbalance system designed to ensure optimal stability of the Robik Q30 when handling heavy or protruding loads. It consists of 9 modular plates weighing 18 kg each, which are easily removable, allowing the weight to be adjusted according to the operating configuration.

Thanks to its modular structure, the set ensures maximum flexibility of use and safety in manoeuvres, maintaining the balance of the machine even in the most demanding conditions.

Notes:

Horn



Code: SET_CLACSON

Description: Acoustic safety signal, which can be activated directly by the operator using the supplied radio control. It guarantees immediate signalling during manoeuvres, increasing safety in shared or busy work environments.

Notes: Supplied as standard.

Electromagnetic brake release

Code: SET_BRK_RLS

Description: Safety system that allows the electric brakes to be disengaged in the event of unexpected machine shutdown. When the batteries are powered, it allows the Robik to be moved manually or by towing in the event of an electronic failure.

This function is designed exclusively for electronic failure situations and ensures temporary restoration of mobility without compromising safety.

Note: The brake release system may only be used in the cases described. The manufacturer cannot be held liable for any improper or incorrect use. In the presence of slopes, obstacles or other potentially dangerous conditions, it is mandatory to use suitable means for lifting and moving the Robik.

Antenna range increase



Code: SET_LONG_RANGE

Description: System for increasing the radio control reception range and extending the machine's operating coverage.

Includes the installation of an external antenna positioned strategically to optimise transmission.

Recommended for very large environments and the handling of bulky loads, while maintaining a clear view for the operator at all times.

Notes:

Interface 4.0



Code: SET_GEO_4.0

Description: Advanced remote monitoring and control system, certified for Industry 4.0, designed to optimise the management of Robik Q30 machines. It allows real-time geolocation and detailed tracking of routes taken, access control via badges or electronic keys to limit use to authorised operators only, and remote management with the possibility of slowing down or stopping the machine remotely in the event of anomalies or exit from predefined geofence areas.

It integrates impact detection with immediate notifications and automatic safety actions, monitoring of working hours, and preventive maintenance planning. The CAN-BUS interface allows direct reading of operational and diagnostic data.

Equipped with GSM, GPRS, GPS and Bluetooth connectivity, the system connects to an intuitive cloud portal accessible from any device, ensuring complete and efficient fleet control.

Notes: There are several monitoring and control systems available, each with specific features. To find the solution that best suits your needs, we recommend contacting your representative and requesting a personalised proposal.



SATES & ROBIK S.R.L

Via dell'Artigianato 36,
Casalserugo 35020 (PD) - ITALIA

Tel: +39 049 643487

P.I. e C.F. 05712940286

www.robik.it

supporto@robik.it