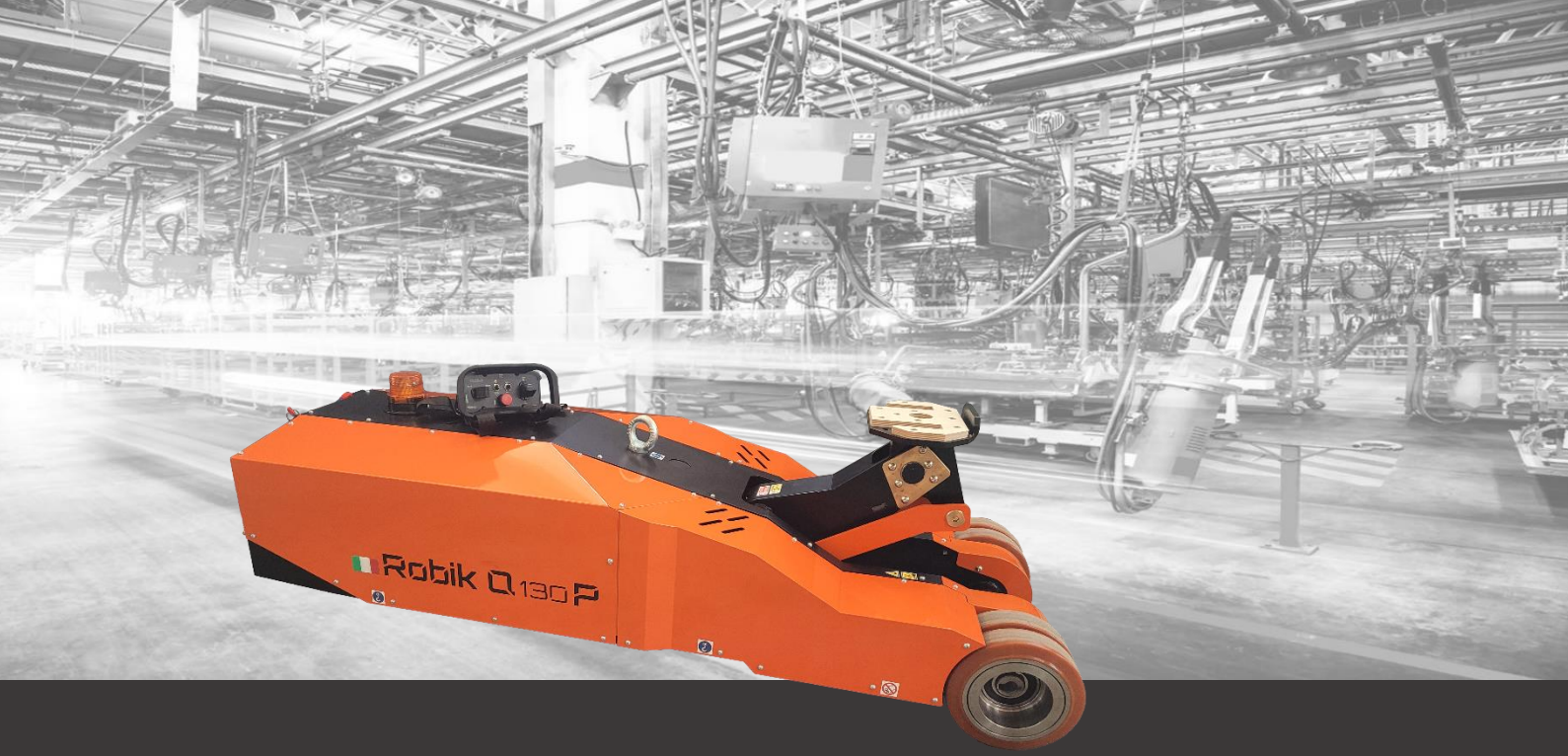


ACCESSORIES  
CATALOG



**Accessories**  
**Robik Q 130 Power**





## Introduction

---

The Robik Q130 Power accessory line is designed to extend and customize the machine's functionality based on specific operational needs. Each element is engineered to ensure structural integration, reliability, and high performance.

From handling couplings to safety systems, from wheel configurations to smart devices, all components offer modularity, efficiency, and ease of use in high-intensity industrial and logistics environments.

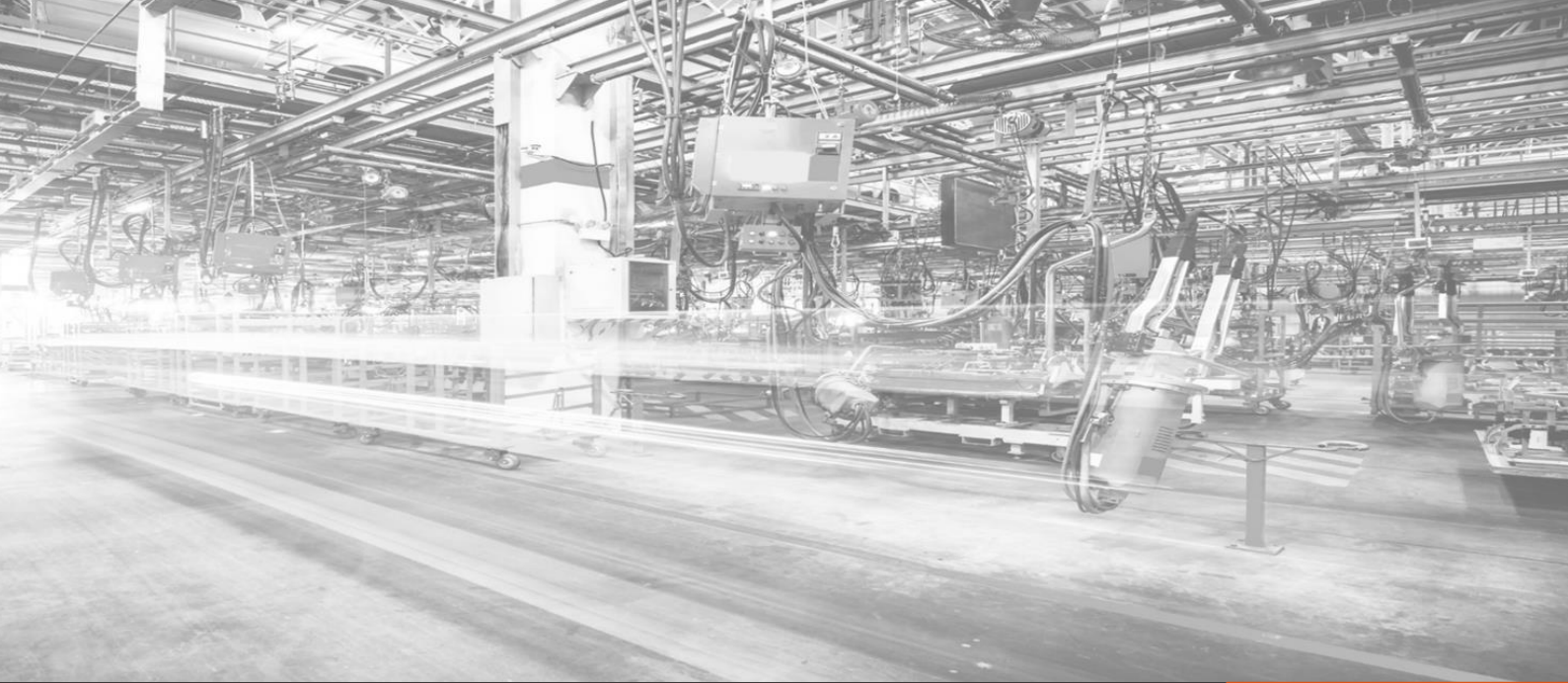
Developed in synergy with our technical department, Robik accessories allow you to build a customized solution, optimizing time, precision, and operational safety.

---



# Index

- LIFTING ..... 8**
  - Tubular Coupling ..... 8
  - Bare Standard Coupling ..... 9
  - Offset Coupling ..... 10
  - Truck chassis side members lifting coupling..... 11
  - Standard lifting support plate..... 12
  - Rubberized support plate ..... 13
- CARTER ..... 16**
  - External Stainless steel casing ..... 16
  - Traction Wheels Cover ..... 17
  - Stainless Steel Traction Wheels Cover ..... 18
- TRACTION ..... 20**
  - Standard Polyurethane Wheels ..... 20
  - Solid Superelastic Wheels..... 21
  - Mixed Composition Wheels ..... 22
  - Orthogonal Adaptor STD 1/19.5 ..... 23
  - Orthogonal Adaptor Increased Torque 1/35.8..... 24
- STEERING ..... 26**
  - Standard polyurethane steering wheels ..... 26
  - Full superelastic steering wheels..... 27
- POWER SUPPLY ..... 30**
  - Single lithium battery ..... 30
  - Lithium batteries in parallel..... 31



<b>VARIOUS ACCESSORIES .....</b>	<b>34</b>
<b>STD GALVANIZED Bolts.....</b>	<b>34</b>
<b>Stainless steel bolts.....</b>	<b>35</b>
<b>Ballast .....</b>	<b>36</b>
<b>Back plate.....</b>	<b>37</b>
<b>Horn .....</b>	<b>38</b>
<b>Positioning camera .....</b>	<b>39</b>
<b>Electromagnetic brake release .....</b>	<b>40</b>
<b>Antenna range increase.....</b>	<b>41</b>
<b>Interface 4.0 .....</b>	<b>42</b>



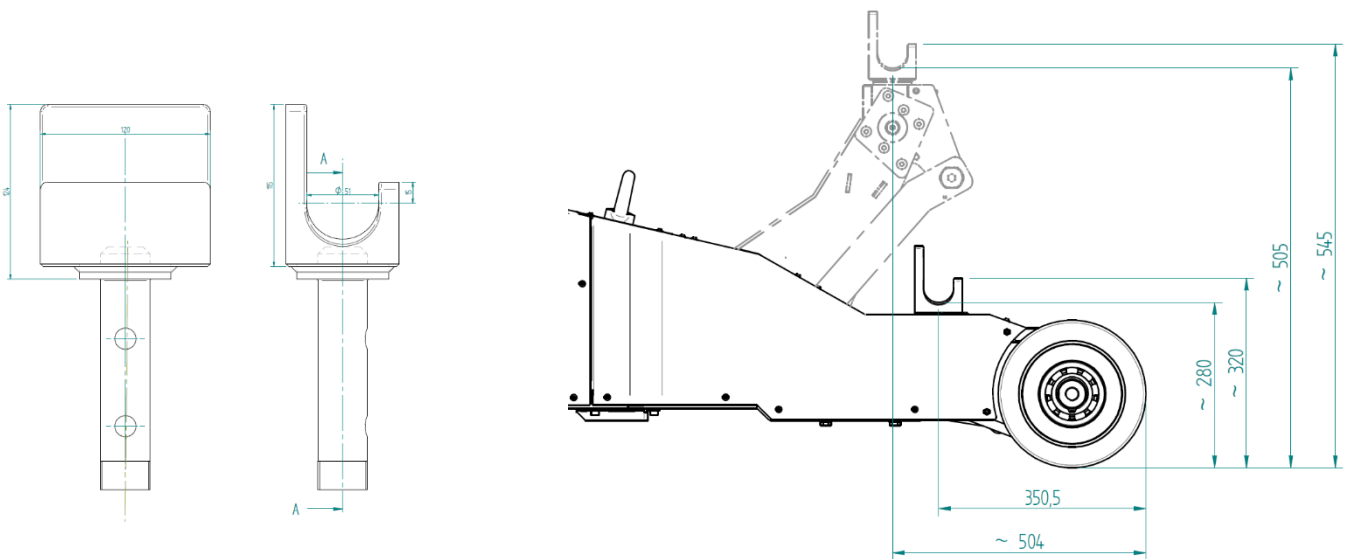
A black and white photograph of a large industrial factory floor. The scene is filled with complex machinery, including robotic arms and conveyor systems. The ceiling is high with a dense network of steel beams and pipes. In the foreground, a large, cylindrical piece of equipment is mounted on a stand. The floor is polished and reflects the overhead lights. An orange banner is overlaid on the right side of the image, containing the word 'LIFTING' in white, bold, capital letters.

# LIFTING

## Tubular coupling



### Dimensional quotas:



**Code:** Set\_Q130\_INTERF\_TUB\_SOL

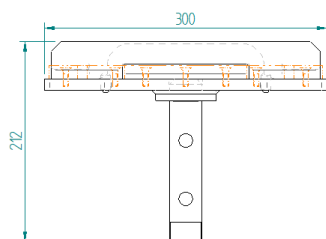
**Description:** Designed for lifting and towing trolleys with tubular protrusions less than 50 mm in diameter, it guarantees maximum stability during use. The radiused geometry ensures constant support on two points, eliminating the risk of imbalance during maneuvers.

**Notes:** consultation with the technical office recommended.

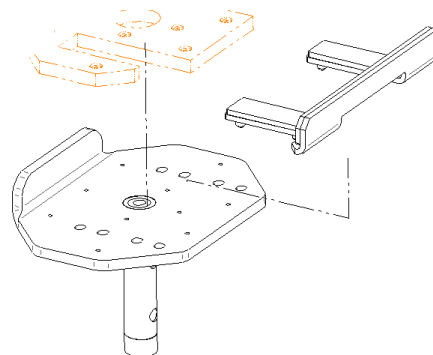
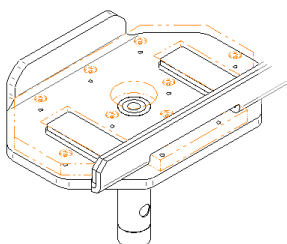
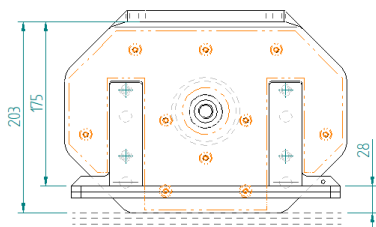
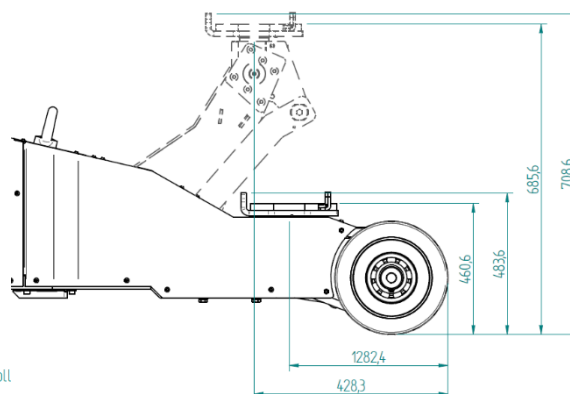
## Bare standard coupling



### Dimensional quotas:



Set\_Q120\_P\_SOL\_COMP - Set Robik Q120 piastra soll



**Code:** Set\_Q120\_PIASTRA\_SOL\_00

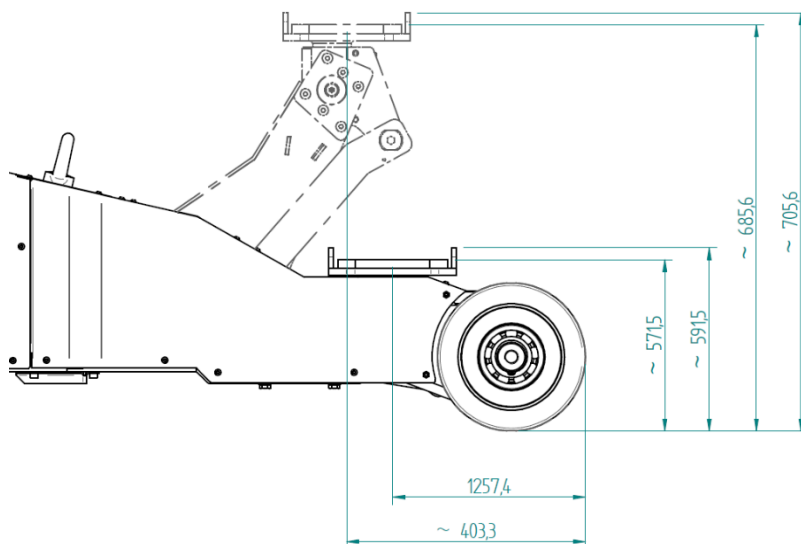
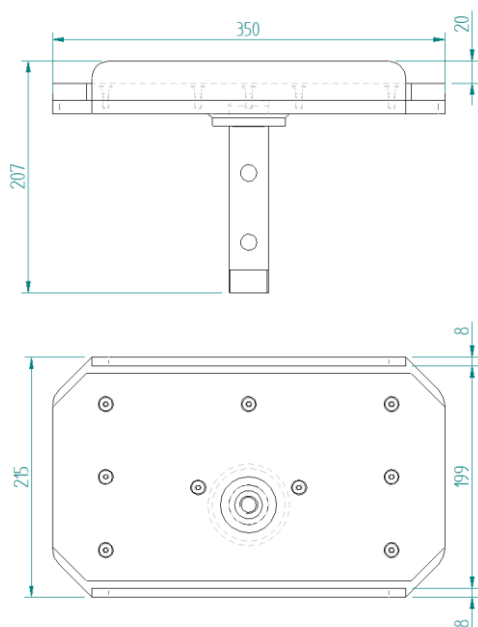
**Description:** Ideal for lifting and towing trolleys or wheeled structures with a flat support base. Equipped with a manually adjustable two-position counterplate, it allows for versatile and safe attachment. Supplied standard with the machine.

**Notes:** it is recommended to associate the code "Set\_Q120\_P\_SOL\_COMP"

## Offset coupling



### Dimensional quotas:

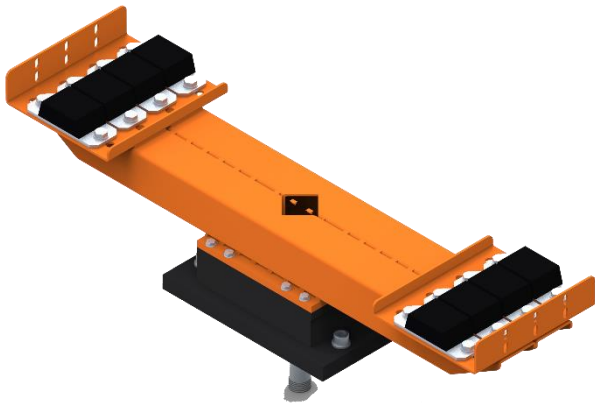


**Code:** Set\_Q130\_PIASTRA\_DST\_SOL

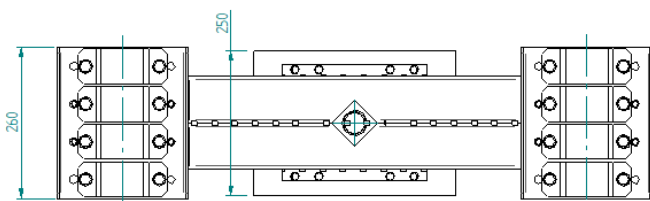
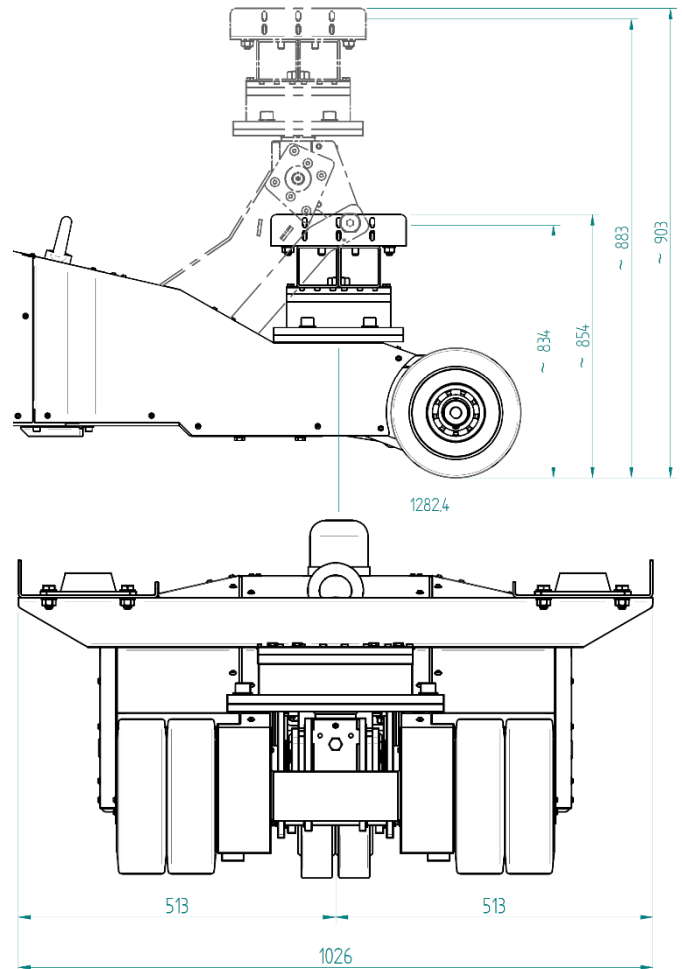
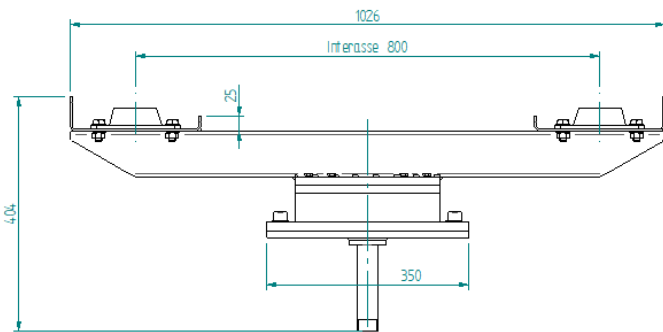
**Description:** This lifting plate has the peculiarity of having a structure offset from the fixing pin, thus allowing for a longer side that protrudes more than the standard plate.

**Notes:** Consultation with the technical office for employment is recommended.

## Truck chassis side members lifting coupling



### Dimensional quotas:

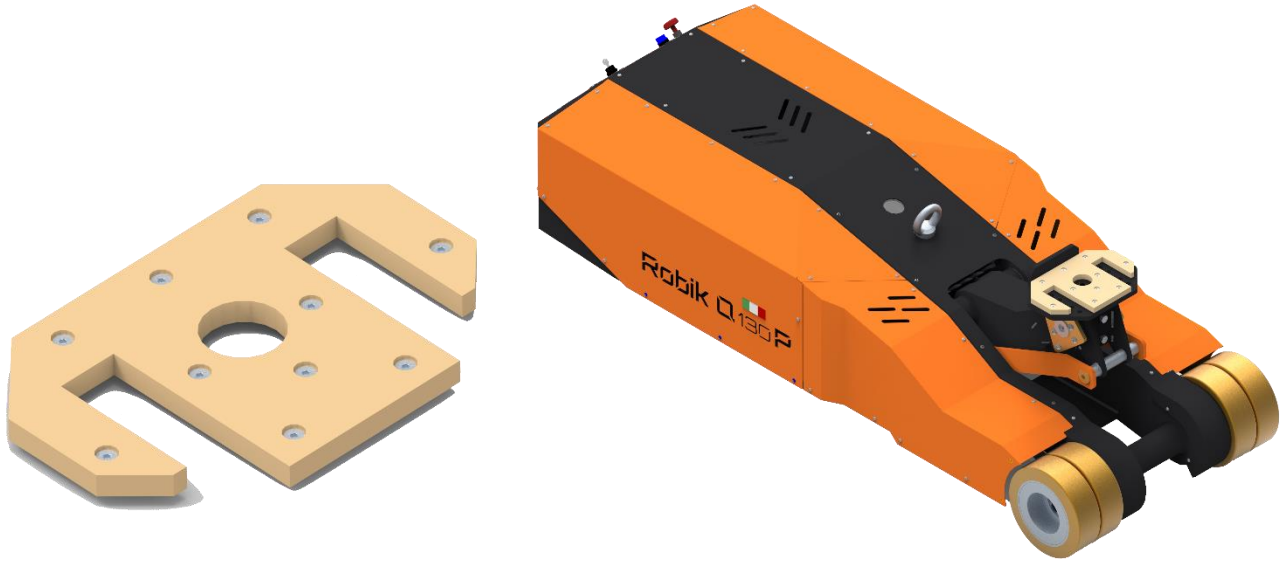


**Code:** Set\_Q130\_INTERF\_TRK\_SOL

**Description:** This lifting coupling allows the lifting of truck side members for their movement by pulling/pushing.

**Notes:** Consultation with the technical office for employment is recommended.

## Standard lifting coupling support plate

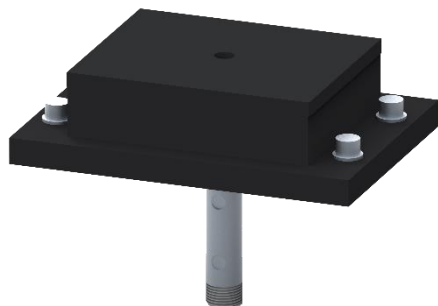


**Code:** Set\_Q120\_P\_SOL\_COMP

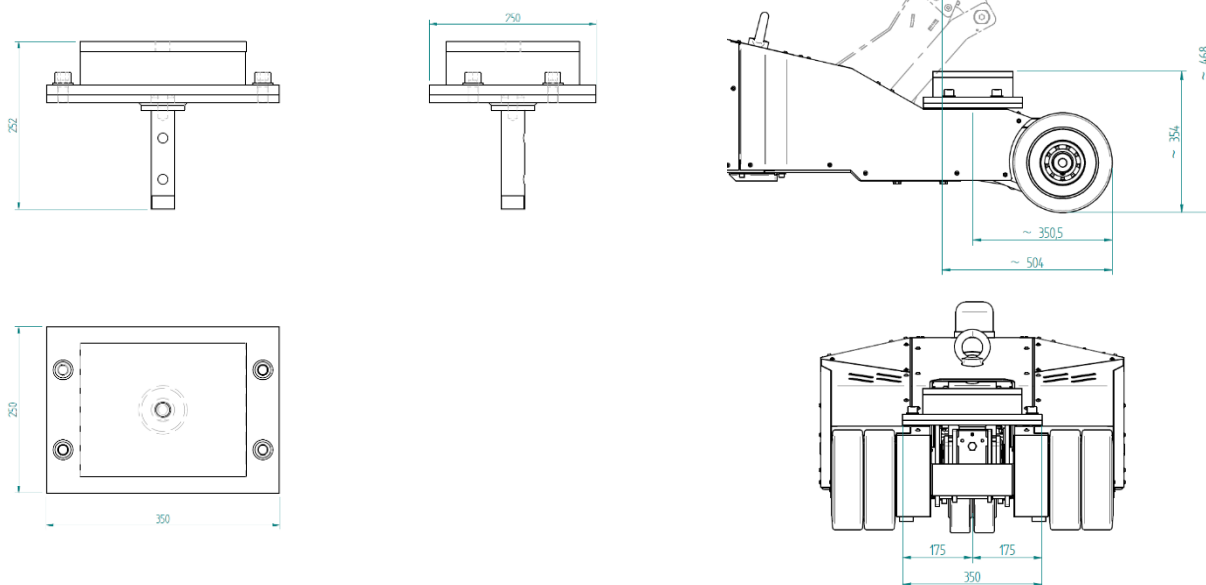
**Description:** This accessory is designed to protect attachment points thanks to its abrasion-resistant surface that resists exposure to salty environments. It does not damage contact structures and ensures a secure, long-lasting hold even in harsh conditions.

**Notes:** must be associated with the code "Set\_Q120\_PIASTRA\_SOL\_00"

## Rubberized support plate



### Dimensional quotas:



**Code:** Set\_Q130\_PIASTRA\_SOL\_GOMM

**Description:** Cushioned rubber lifting base, designed to ensure stability and protection during use. The special rubber composition ensures high resistance to impact and wear, while maintaining excellent elastic properties. The plates are suitable for supporting high compressive loads, offering secure and durable support even in intensive applications.

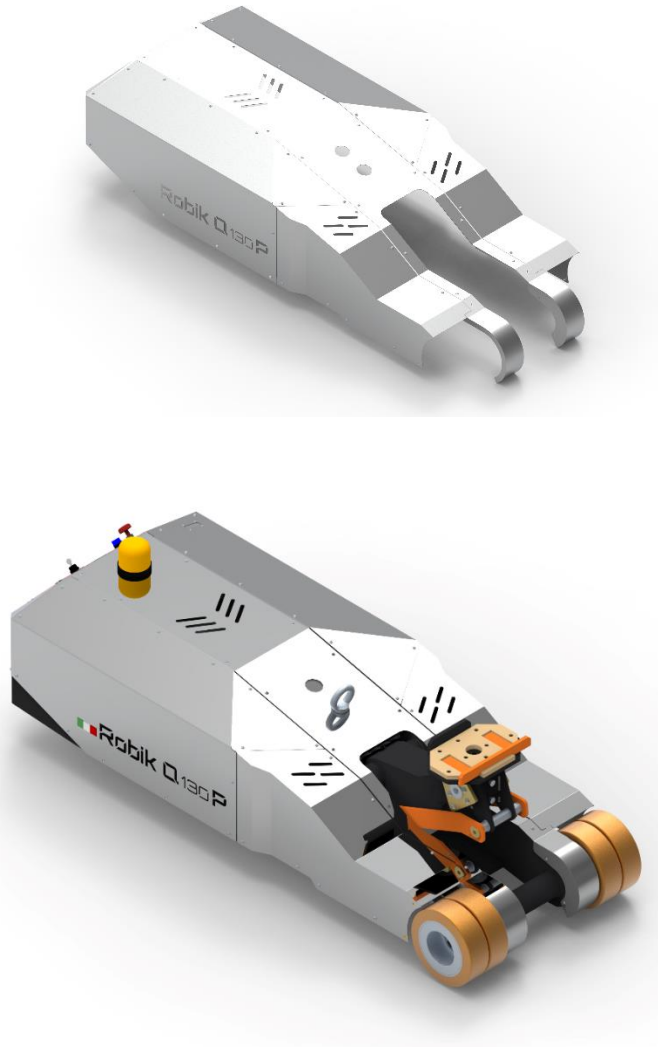
**Notes:**





**CARTER**

## External Stainless steel casing



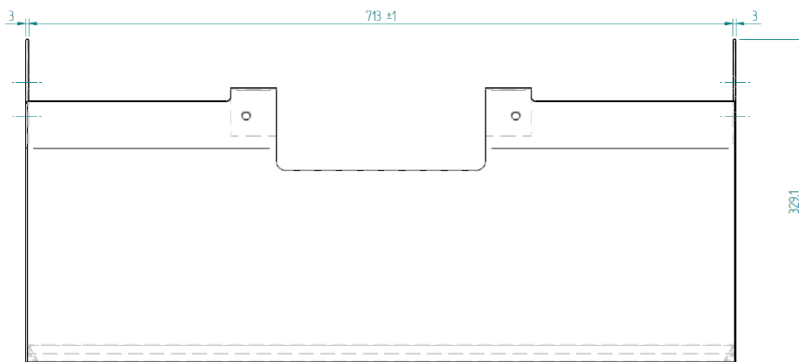
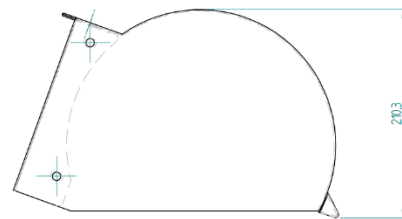
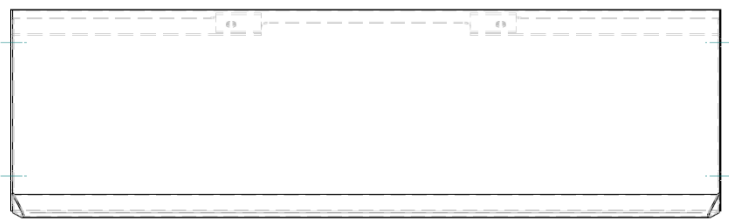
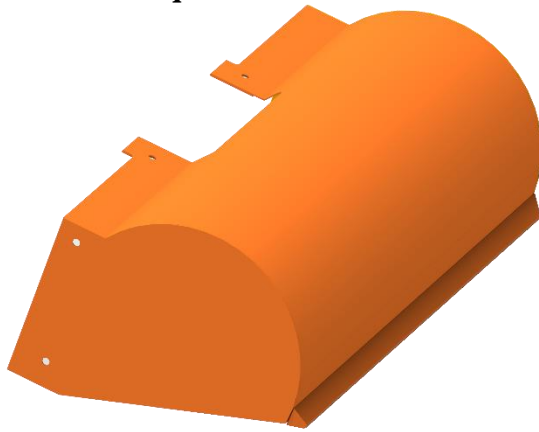
**Code:** Set\_Q130\_CAR\_INOX

**Description:** 316 stainless steel protective casing, designed for maximum resistance in saline and marine environments. Ideal for marine applications, it guarantees durability, protection, and reliability even in the presence of seawater.

**Notes:** recommended in the nautical sector.

## Traction wheels cover

### Dimensional quotas:

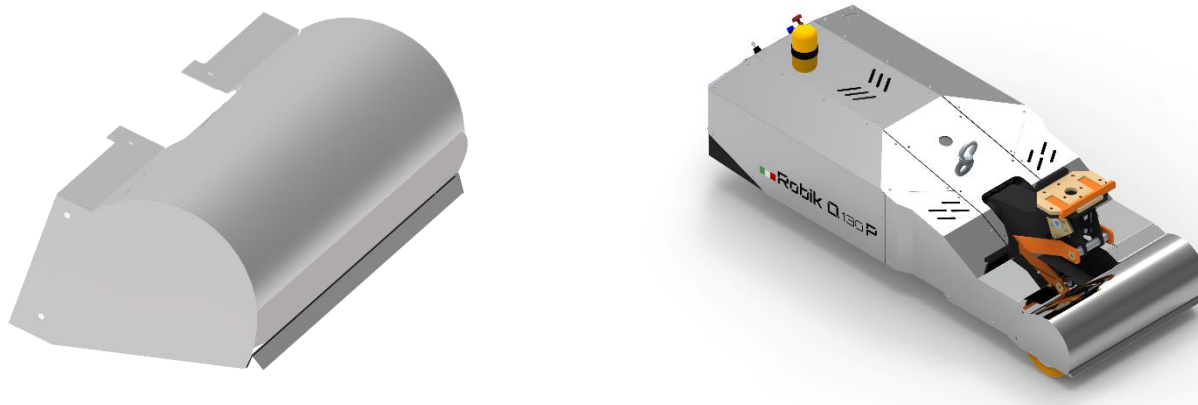


**Code:** Set\_Q120\_COPRIRUOTE\_V

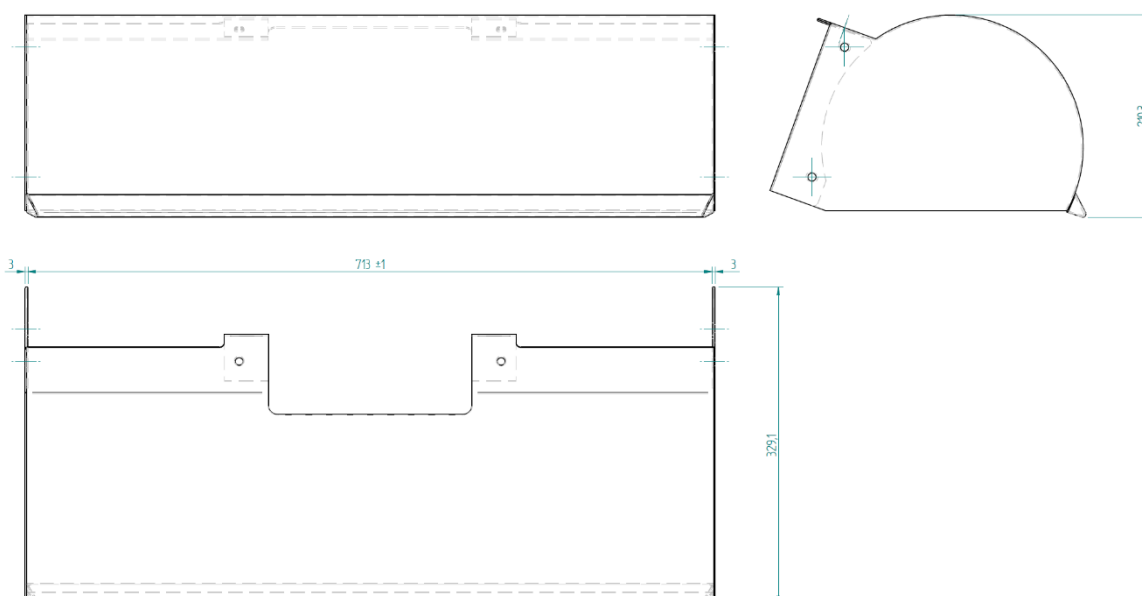
**Description:** Front wheels guard, designed to increase safety in busy work areas. In addition to protecting the drive wheels, it prevents feet from accidentally getting caught under the vehicle while maneuvering. An essential device for high-traffic operating environments.

**Notes:** Ideal for industry.

## Stainless steel traction wheels cover



### Dimensional quotas:



**Code:** Set\_Q120\_COPRIRUOTE\_IX

**Description:** Front wheel guard, made of 316 stainless steel to ensure maximum strength and durability in corrosive environments. In addition to protecting the drive wheels, it prevents feet from accidentally getting caught under the vehicle while maneuvering. An essential safety device, recommended for busier work environments.

**Notes:** Ideal for nautical storage.

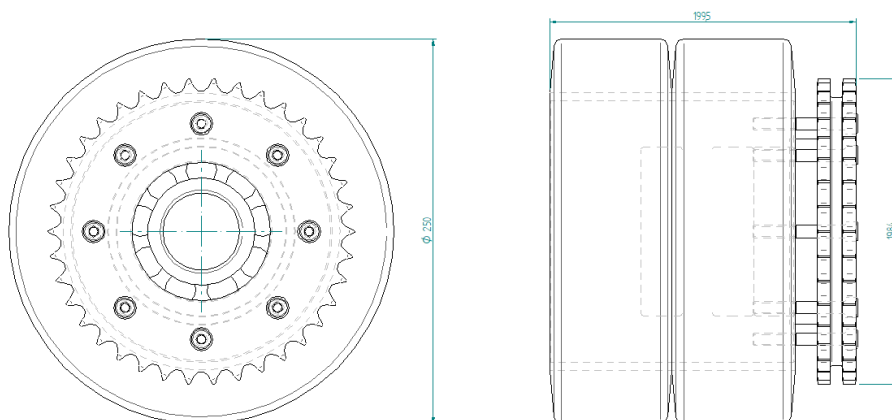
A black and white photograph of a large industrial factory floor. The scene is filled with complex machinery, including several robotic arms and conveyor systems. The ceiling is high and supported by a dense network of steel beams, with various pipes and cables running across it. The floor is polished and reflects the overhead lights. In the foreground, a large, cylindrical component of a machine is visible, connected to a network of cables. The overall atmosphere is one of a busy, modern manufacturing environment.

# TRACTION

## Standard Polyurethane Wheels



### Dimensional quotas:



**Code:** Set\_Q120\_RUO\_STD

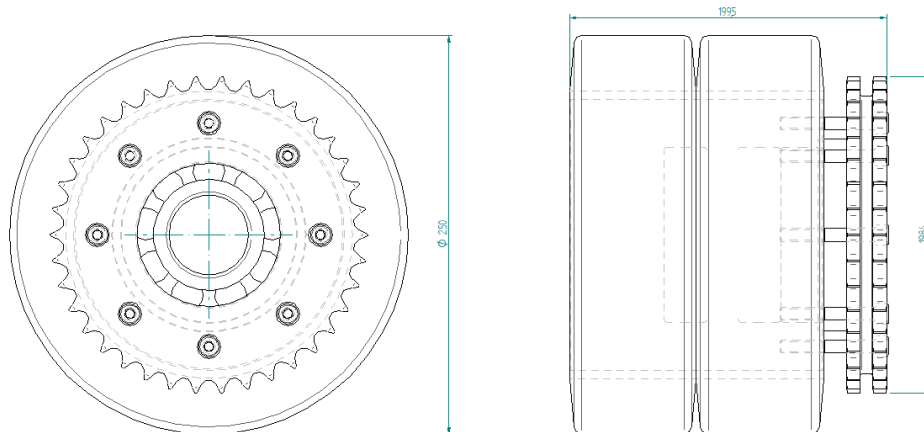
**Description:** Designed to handle heavy loads up to 12 tons, they offer high resistance thanks to their double polyurethane bearings. Ideal for industrial environments, they guarantee durability and reliable performance even under maximum or slightly lower loads.

**Notes:**

## Solid Superelastic Wheels



### Dimensional quotas:

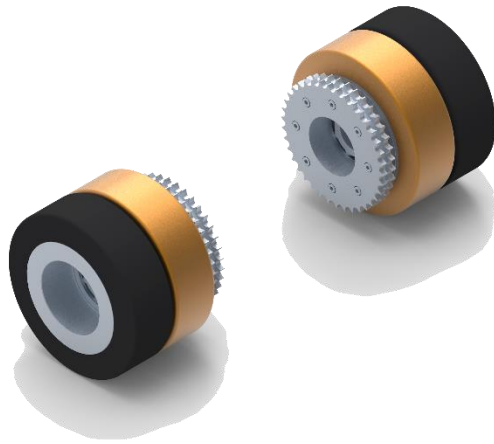


**Code:** Set\_Q130\_RUO\_ECO

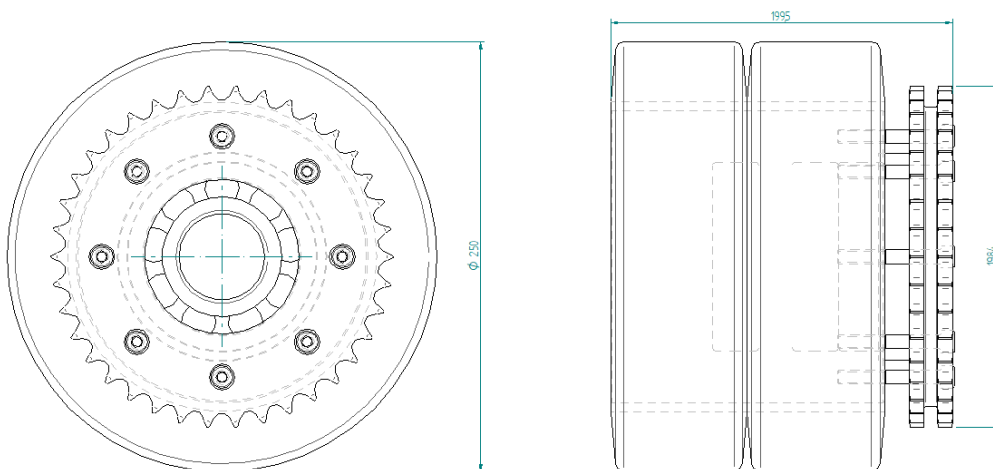
**Description:** Ideal for moving medium-to-low loads on uneven surfaces. The double superelastic rubber cushioning ensures excellent grip and effective shock absorption, reducing vibrations and impacts. Greater grip, lower load capacity, for smoother traction in complex environments.

**Notes:** The maximum payload is 7 Tons, ~42% less than the maximum payload of the Robik Q130P.

## Mixed Composition Wheels



### Dimensional quotas:

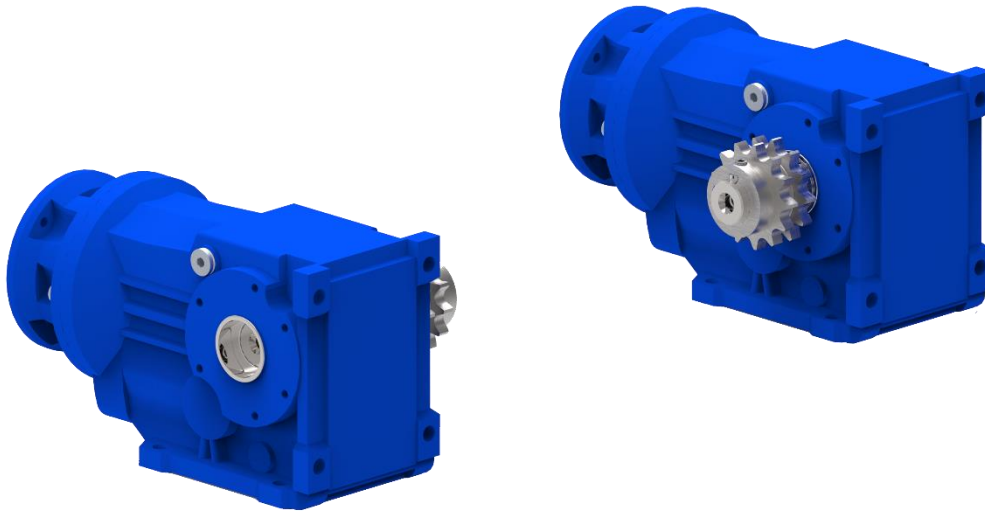


**Code:** Set\_Q130\_RUO\_MISTE

**Description:** Designed for medium-heavy loads and moderately uneven surfaces, they combine performance and versatility. The double polyurethane inner cushion and superelastic rubber outer cushion ensure good shock absorption, excellent grip, and a balanced load capacity. The ideal choice for industrial environments requiring reliable traction and operating comfort.

**Notes:** The maximum payload is 10 tons. ~20% less than the maximum payload of the Robik Q130P.

## Orthogonal Adaptor STD 1/19.5

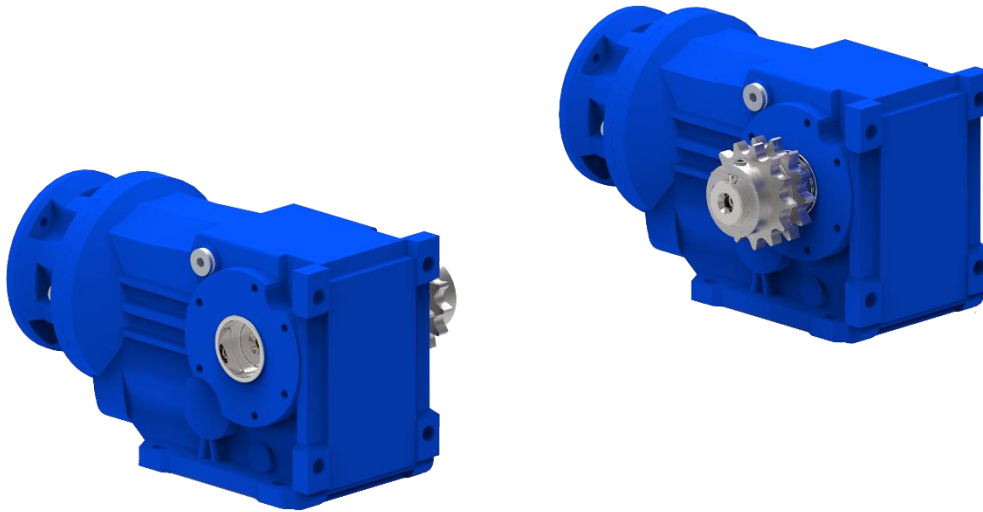


**Code:** Set\_Q130\_RID\_ORT\_STD

**Description:** Traction attachment designed for the Robik Q130P, it ensures a constant and controlled output speed with high torque, making it ideal for heavy-duty traction applications. The reduction ratio  $i=1/19.5$ , combined with oil-bath lubrication, ensures maximum efficiency, reliability, and long operating life even in harsh conditions.

**Notes:**

## Orthogonal Adaptor Increased Torque 1/35,8



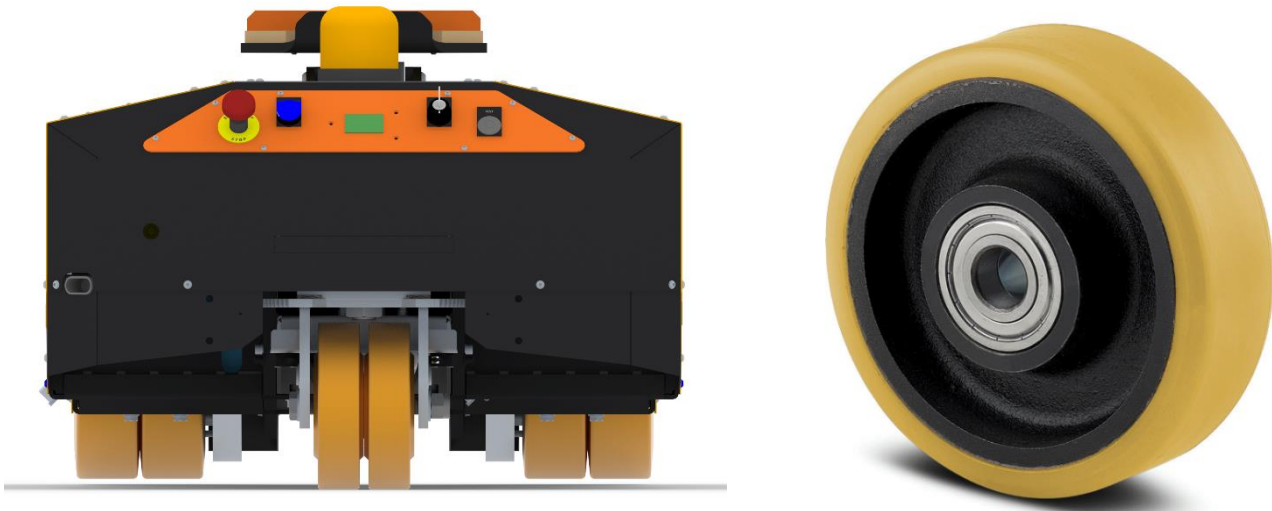
**Code:** Set\_Q130\_RID\_ORT\_PLS

**Description:** Traction attachment for the Robik Q130P, designed for applications requiring maximum torque at low speed. The reduction ratio  $i=1/35.8$  allows for extremely powerful and controlled traction, ideal for handling particularly heavy or demanding loads. Oil-bath lubrication ensures reliability, constant efficiency, and long operating life even under high stress.

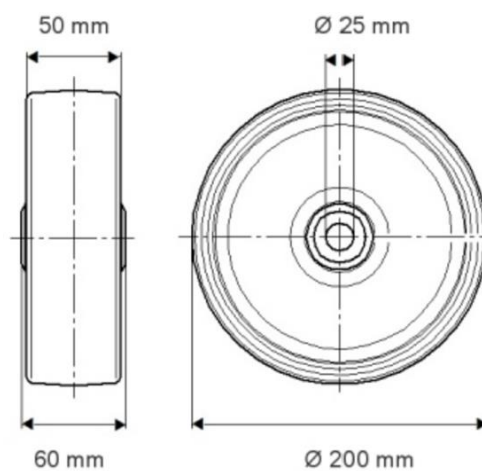
A black and white photograph of an industrial factory floor. The scene is filled with complex machinery, including several robotic arms and conveyor systems. The ceiling is high and supported by a network of steel beams, with various pipes and cables running across it. The floor is concrete and shows signs of use, with some debris and markings. A yellow banner is overlaid on the top right of the image, containing the word 'STEERING' in bold, black, sans-serif capital letters.

# STEERING

## Standard Polyurethane Steering Wheels



### *Dimensional quotas:*

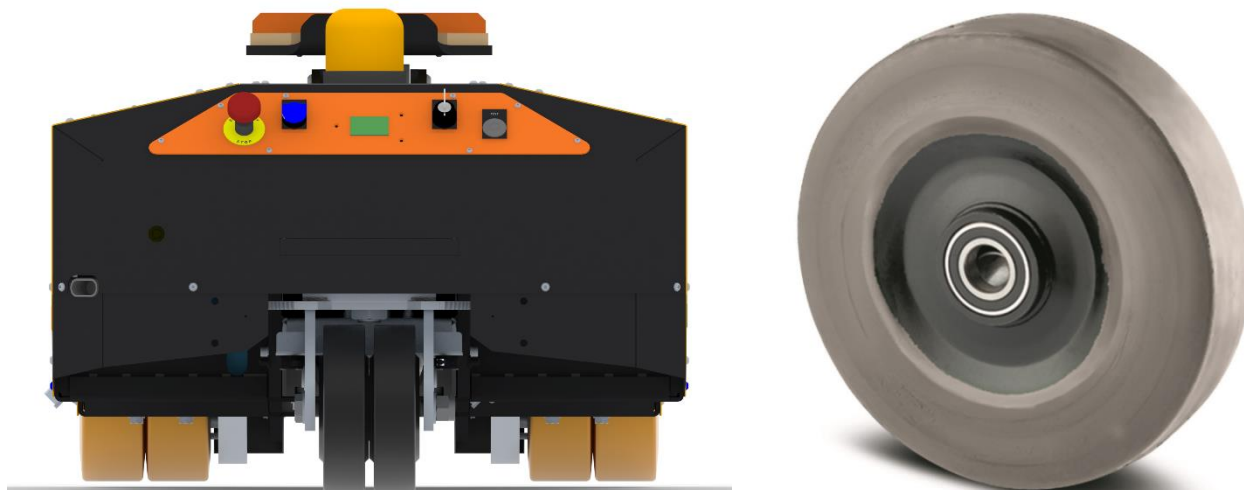


**Code:** Set\_Q130\_RUO\_STRZ\_STD

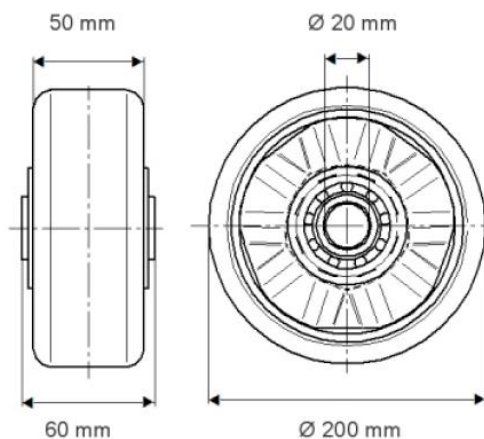
**Description:** Designed to ensure maneuverability with heavy and medium-heavy loads, it offers a high load capacity thanks to the high-strength polyurethane cushioning. Ideal for industrial environments with smooth flooring, it ensures smooth and precise steering even under stress.

**Notes:** they are supplied with the standard machine.

## Full Superelastic Steering Wheels



### *Dimensional quotas:*



**Code:** Set\_Q130\_RUO\_STRZ\_ECO

**Description:** Designed for steering with medium and medium-low loads, it offers excellent grip thanks to its solid, super-elastic gray cushioning. Ideal for environments with uneven floors, it ensures stability, comfortable handling, and reduced vibration.

**Notes:** recommended to be paired with the set "Set\_Q130\_RUO\_ECO"



A black and white photograph of a large industrial factory floor. The scene is filled with complex machinery, including several robotic arms and conveyor systems. The ceiling is high and supported by a dense network of steel beams, with various pipes and cables running across it. The floor is concrete and shows signs of industrial use, with some markings and a safety barrier in the foreground. The overall atmosphere is one of a busy, large-scale manufacturing environment.

# POWER SUPPLY

## Single lithium battery

Greater autonomy - Fast Charger



**Dimensions:** L540 x I290 x h225

**Code:** Set\_LIT\_48V\_1BTT

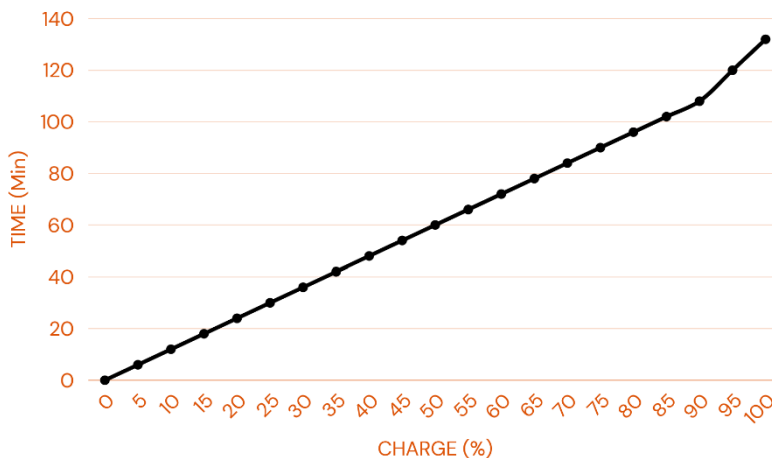
**Description:** High-performance LiFePO<sub>4</sub> lithium battery, specifically designed for deep cycle use, with over 3,500 life cycles. 51.2V – 90Ah (4.61 kWh) capacity, ideal for high-efficiency industrial applications.

IP65 protection rating, equipped with an external display for SOC and error diagnostics.

**Notes:** including dedicated high-frequency 48V – 50Ah Fastcharger battery charger.



TABLE CORRELATION  
TIME (Min) – CHARGE (%)



**PLEASE NOTE:** Charging times are indicative only.

## Lithium batteries in parallel

Greater autonomy - Fast Charger



**Dimensions:** L540 x l290 x h225

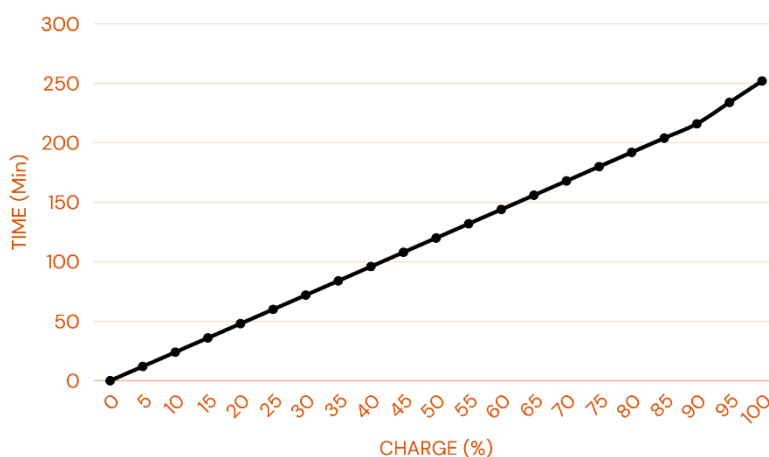
**Code:** Set\_LIT\_48V\_2BTT

**Description:** Configuration with 2 batteries connected in parallel for a total capacity of 51.2V – 180Ah (9.22 kWh), ideal for cyclic applications with high energy demand. Deep Cycle LiFePO<sub>4</sub> technology with over 3500 life cycles, IP65 protection and continuous delivery up to 180Ah. Each battery is equipped with an independent SOC display for state of charge monitoring and error diagnostics.

**Notes:** including dedicated high-frequency 48V – 50Ah Fast charger.



TABLE CORRELATION  
TIME (Min) - CHARGE (%)



**PLEASE NOTE:** Charging times are indicative only.



A black and white photograph of an industrial factory floor. The scene is filled with complex machinery, including robotic arms and conveyor systems. The ceiling is high and supported by a network of steel beams, with various pipes and cables running across it. The floor is concrete and shows signs of use, with some markings. The overall atmosphere is one of a busy, modern manufacturing environment.

# VARIOUS ACCESSORIES

## STD GALVANIZED Bolts



**Code:** Set\_Q130\_P\_BULL\_STD

**Description:** External bolts treated with anti-corrosion zinc plating, installed as standard on all machines. This guarantees weather resistance and long-lasting durability, even in exposed industrial environments.

**Notes:** they are supplied with the standard machine.

## Stainless steel bolts

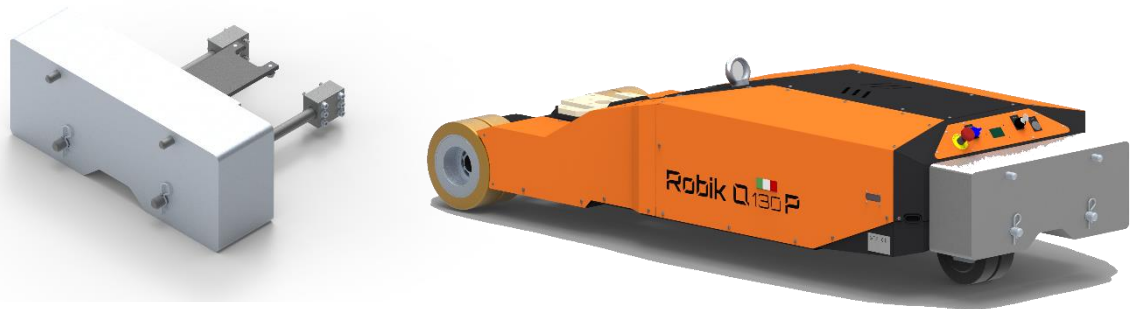


**Code:** Set\_Q130\_P\_BULL\_INOX

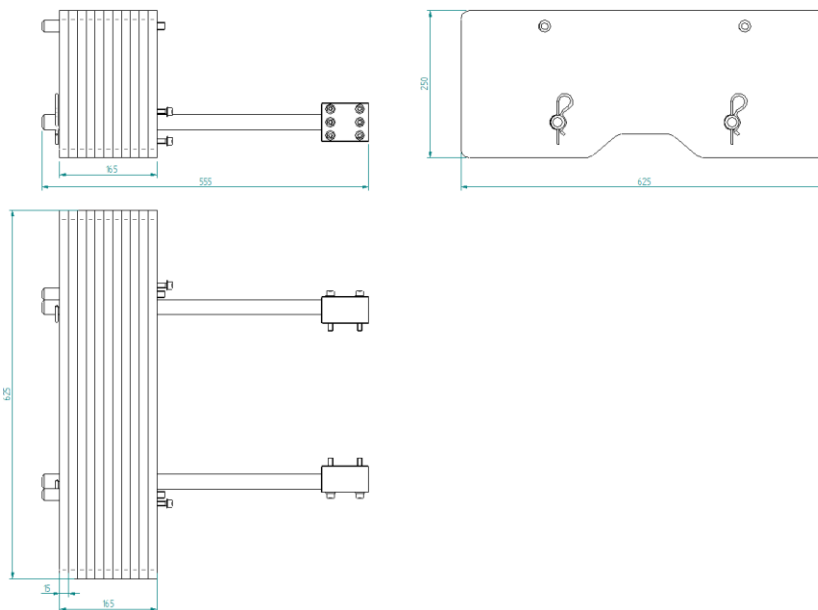
**Description:** External A2 stainless steel fasteners, recommended for applications in saline or highly corrosive environments. They offer maximum rust resistance and long life, even in exposed marine or industrial environments.

**Notes:** recommended in the nautical sector.

## Ballast



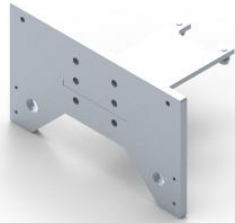
### Dimensional quotas:



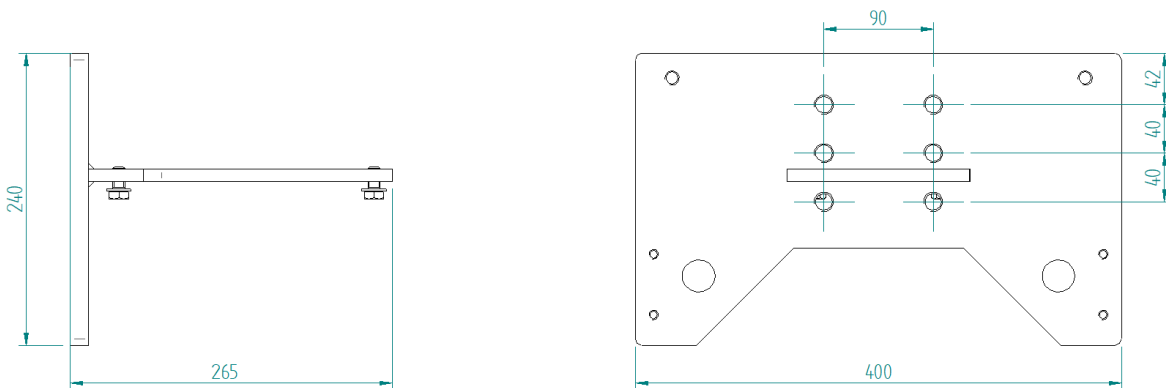
**Code:** Set\_Q120\_PESI

**Description:** Rear counterbalance system for proper machine balance when carrying very high or protruding loads. Consisting of 11 removable, modular plates, each weighing 17.6 kg, to adapt the weight to the operating configuration and ensure maximum stability during operations.

## Back Plate



### Dimensional quotas:



**Code:** Set\_Q120\_PIASTRA\_ACC

**Description:** High-capacity plate fixed directly to the Robik Q130P machine frame, designed for the secure attachment of optional accessories. It allows for the integration of customized solutions developed in collaboration with our technical department to adapt to specific operational needs.

**Notes:** Essential for those who need maximum configuration flexibility.

## Horn



**Code:** SET\_CLACSON

**Description:** Acoustic safety warning device, activated directly by the operator using the supplied remote control. It provides immediate warning during maneuvers, increasing safety in shared or busy work environments.

**Notes:** It is supplied as standard.

## Positioning camera



**Code:** Set\_Q130\_CAMERA

**Description:** Visual support system designed to facilitate the correct positioning of the lifting plate under vehicles or machineries. It allows the operator to see even where direct visibility is limited, facilitating precise alignment of the support points.

Complete with an on-board screen, it is particularly useful when handling forklifts with hidden or poorly visible bases.

It significantly reduces maneuvering times, improving efficiency and operational safety.

**Notes:**

## Electromagnetic brake release

**Code:** SET\_BRK\_RLS

**Description:** A safety system that allows the electric brakes to be disengaged in the event of an unexpected stop. When the batteries are powered, it allows the Robik to be moved manually or by towing in the event of an electronic failure.

This function is designed exclusively for electronic failure situations and ensures temporary restoration of mobility without compromising safety.

**Notes:** Use of the brake release system is permitted only in the cases described. The manufacturer cannot be held liable for any improper or incorrect use. In the presence of slopes, obstacles, or other potentially dangerous conditions, it is mandatory to use suitable equipment for lifting and moving the Robik.

## Antenna range increase



**Code:** SET\_LONG\_RANGE

**Description:** System for increasing the radio control's reception range and expanding the machine's operational coverage.

Includes the installation of a strategically positioned external antenna to optimize transmission.

Recommended for very large spaces and handling bulky loads, while always maintaining a clear view for the operator.

**Notes:**

## Remote status check and management



**Code:** SET\_Q130\_GEO\_4.0

**Description:** An advanced remote monitoring and management system, certified for Industry 4.0, designed to optimize the management of Robik Q130P machines. It enables real-time geolocation and detailed tracking of routes, access control via badges or electronic keys to limit use to authorized operators only, and remote management with the ability to slow down or stop the machine remotely in the event of anomalies or exit from predefined geofences.

It integrates impact detection with immediate notifications and automatic safety actions, monitoring of working hours, and preventive maintenance scheduling. The CAN-BUS interface allows direct reading of operational and diagnostic data.

Equipped with GSM, GPRS, GPS, and Bluetooth connectivity, the system connects to an intuitive cloud portal accessible from any device, ensuring complete and efficient fleet control.

**Notes:** Various monitoring and control systems are available, each with specific features. To find the solution that best suits your needs, we recommend contacting your representative and requesting a personalized proposal.





**SATES & ROBIK S.R.L**

Via dell'Artigianato 36,  
Casalserugo 35020 (PD) - ITALY

Tel: +39 049 643487

P.I. e C.F. 05712940286

[www.robik.it](http://www.robik.it)

[supporto@robik.it](mailto:supporto@robik.it)