

ACCESSORIES  
CATALOGUE



**Accessories**  
**Robik X TRACK**





## Introduction

---

The accessory range dedicated to **X TRACK** is designed to expand and configure the machine according to specific operational requirements, both in indoor environments on uneven terrain and in industrial settings with irregular surfaces.

Each accessory is engineered to ensure structural integration, maximum strength and reliability under demanding working conditions. From load interfaces to anchoring and towing systems, as well as safety devices and dedicated application modules, each component is conceived to keep high standard of stability, traction and control.

The modular design allows **X TRACK** to be transformed into a configurable operational platform, suitable to different industries and work cycles.

Developed in collaboration with our technical department, **X TRACK** accessories enable the creation of tailored solutions, optimizing productivity, safety and operational continuity even in complex environments.

---



## Index

<b>PLATFORMS.....</b>	<b>8</b>
Standard Platform .....	8
360° Rotating Platform.....	9
<b>PLATFORM ACCESSORIES.....</b>	<b>12</b>
Lifting System .....	12
Ballast .....	13
Pallet Corner Supports for Standard Platform.....	14
Pallet Corner Supports for 360° Rotating Platform.....	15
Oversize System .....	16
<b>TOWING ACCESSORIES .....</b>	<b>18</b>
Adjustable Front Tow Coupling .....	18
Front Tow Coupling Battery Side .....	19
Rear Tow Coupling Control Side.....	20
<b>POWER SUPPLY ACCESSORIES .....</b>	<b>22</b>
Standard Batteries .....	22
Lithium Battery.....	23
Lithium Battery Trolley .....	24
<b>MISCELLANEOUS ACCESSORIES .....</b>	<b>26</b>
Tracker .....	26
Access Control System.....	27



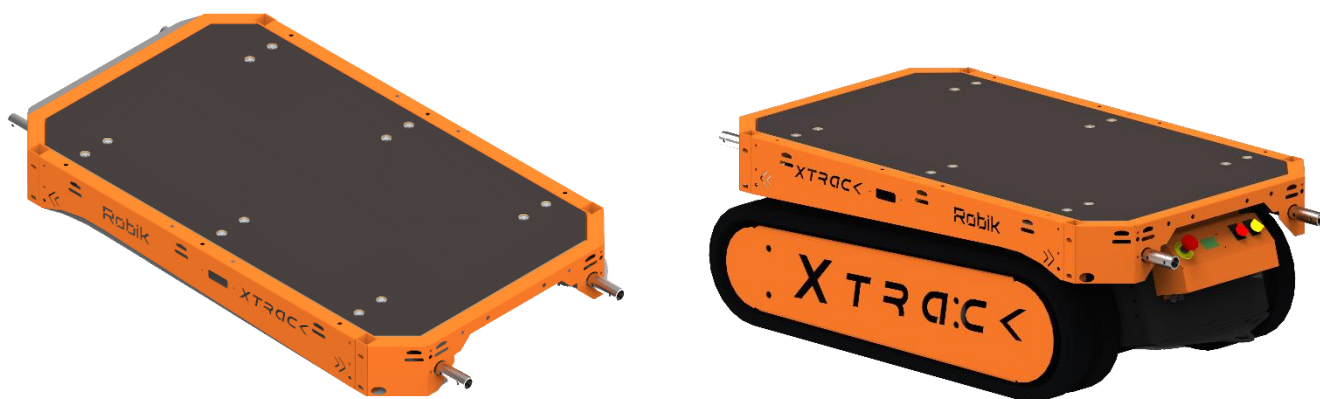
## Index



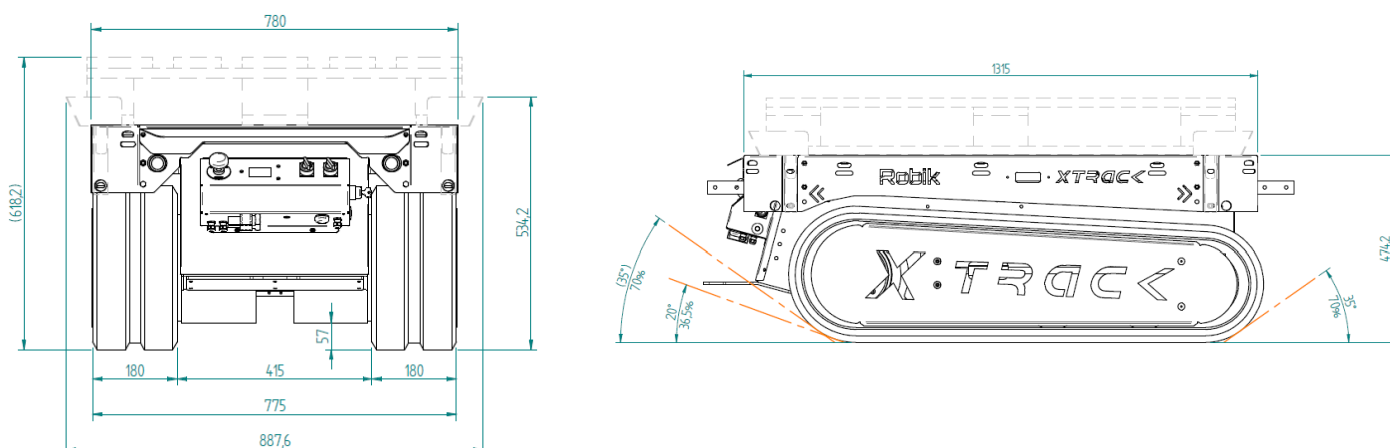
A black and white photograph of a large industrial factory floor. The scene is filled with complex machinery, including several robotic arms and conveyor systems. The ceiling is high and supported by a dense network of steel beams and pipes. The floor is polished and reflects the overhead lights. In the foreground, a large, cylindrical component of a machine is visible, mounted on a metal stand. The overall atmosphere is one of a busy, modern manufacturing environment.

# PLATFORMS

## STANDARD PLATFORM



### Dimensional Drawing:



**Master Code:** SET\_XTRK\_COP\_STD

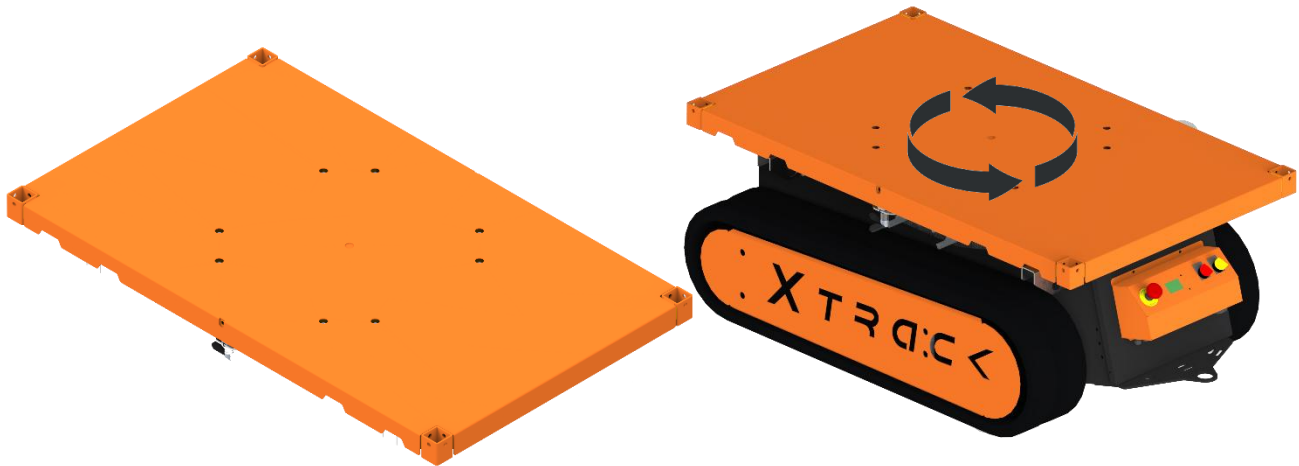
**Description:** Upper platform for **XTRAC**, designed for the transport and support of loads in industrial and outdoor applications.

Manufactured with a marine-grade wooden surface resistant to humidity, saline environments and impacts, combined with a painted steel perimeter frame equipped with lashing points for straps and provisions for modular accessories.

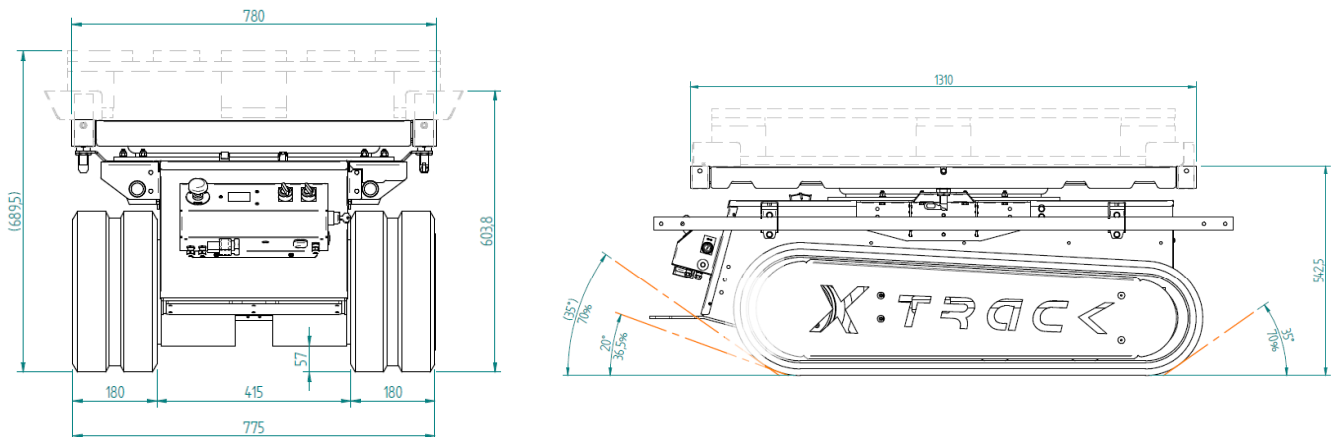
Maximum load capacity: 1.200 kg.

**Notes:** Standard solution for logistics, technical and construction applications.

## 360° ROTATING PLATFORM



### Dimensional Drawing:



**Master Code:** SET\_XTRK\_COP\_ROT

**Description:** All-steel upper platform designed for integration with **X:TRACK**, intended for handling loads that require controlled rotation.

Equipped with a rotating mechanical system, lockable at different angles via manual lever pins, it allows precise load positioning while ensuring stability and operational safety. Compatible with and integrable with other modular accessories.

Maximum load capacity: 1.000 kg.

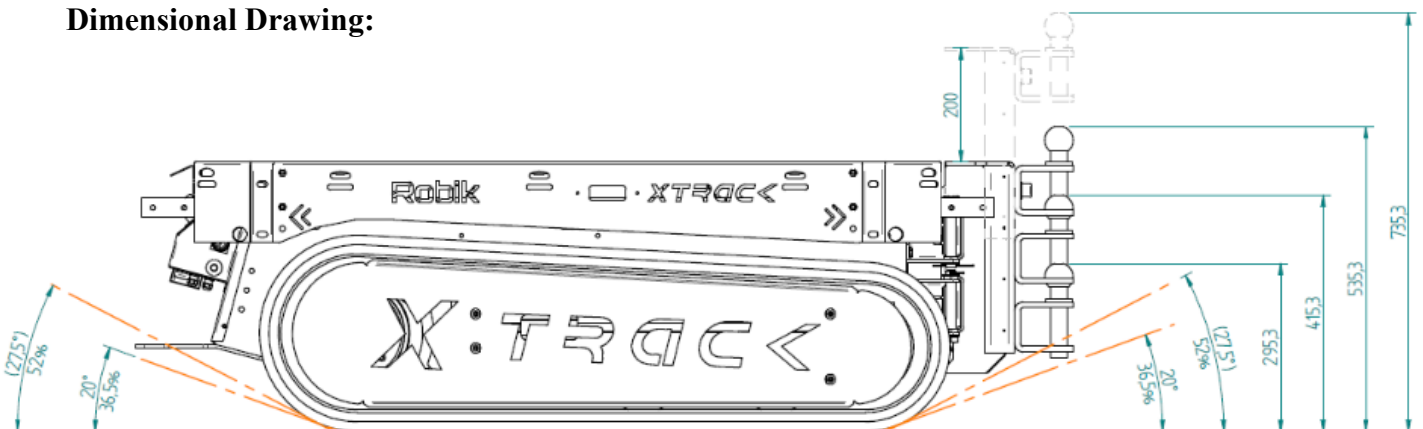
# PLATFORM ACCESSORIES



## LIFTING SYSTEM



## Dimensional Drawing:



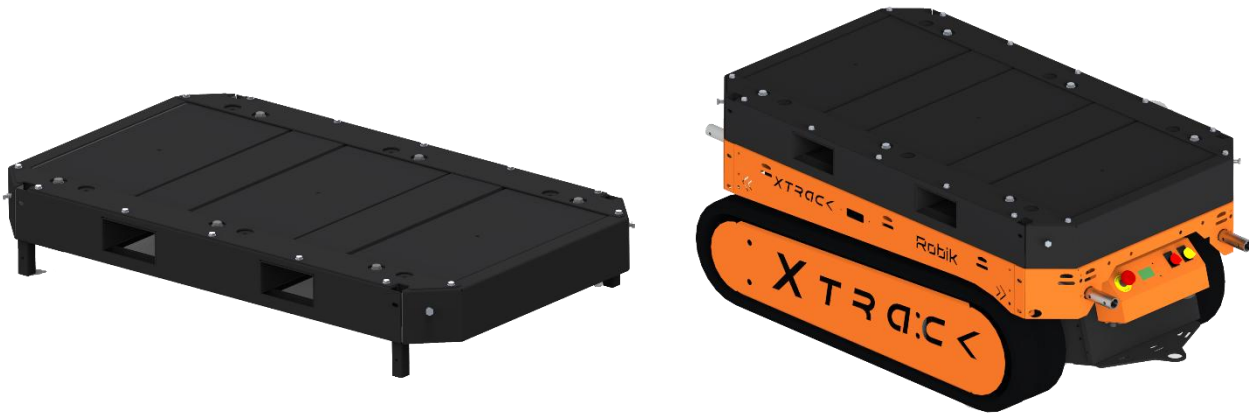
**Master Code:** SET\_XTRK\_SOLL\_PIANALE

**Description:** Integrated electric lifting system, directly operated via remote control, designed for integration on **X:TRAC** in configuration with the Standard Platform.

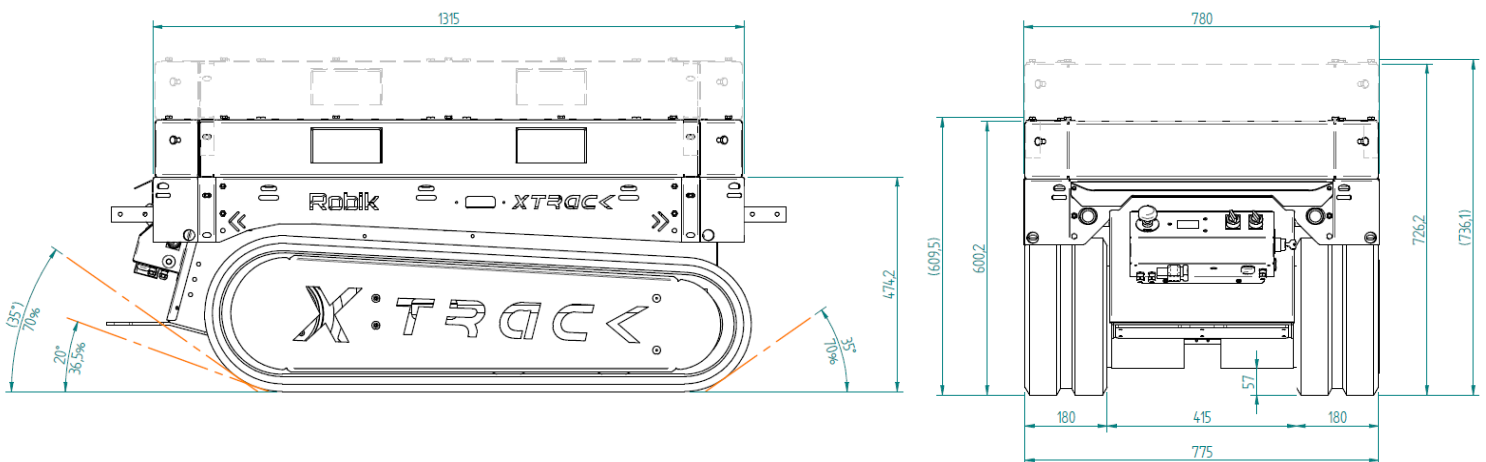
The mechanism provides a vertical stroke of up to approximately 200 mm, with a lifting capacity of up to 500 kg (5.000 N), allowing height adjustment of the towing or coupling point.

**Notes:** The system can be equipped with a tow coupling, to choose between: standard tow ball or tow coupling with certified pin.

## BALLAST



## Dimensional Drawing:



**Master Code:** SET\_XTRK\_ZAV\_500\_FORK

**Description:** Ballasted supplementary platform, designed for installation in combination with the **X:TRAC** Standard Platform.

The system adds a total weight of 500 kg, increasing ground grip and reducing the risk of track slippage under heavy load conditions or on low-traction surfaces.

The structure is designed to be handled by forklift forks, allowing quick and safe installations and removal. The platform consists of three modular and removable ballast plate packs, configurable according to operational requirements and space constraints in industrial and outdoor environments.

## PALLET CORNER SUPPORTS FOR STANDARD PLATFORM



**Master Code:** SET\_XTRK\_ANG\_BANCALE\_ST

**Description:** Corner support system designed for securing and stabilizing EPAL pallets on the **XTRAC** Standard Platform.

They ensure correct load positioning, reducing unwanted movement during handling on uneven surfaces.

Equipped with a quick coupling system, they are specifically designed for use with the Standard Platform, ensuring immediate integration and ease of installation.

## PALLET CORNER SUPPORTS FOR 360° ROTATING PLATFORM



**Master Code:** SET\_XTRK\_ANG\_BANCALE\_ROT

**Description:** Corner support system designed for securing and stabilizing EPAL pallets on the **XTRACK** 360° Rotating Platform.

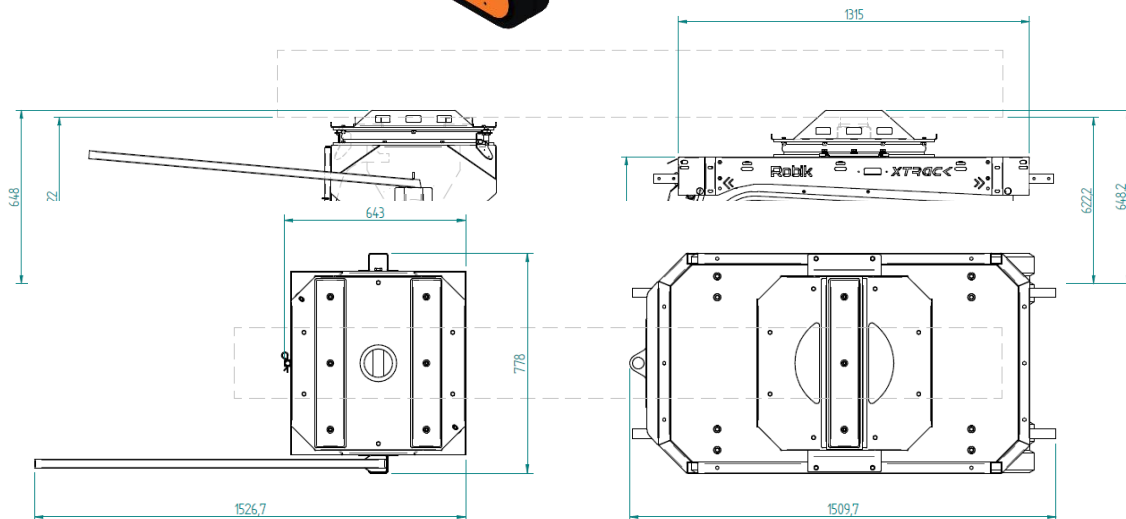
They maintain the load in position even during platform rotation, ensuring safety and control throughout handling operations,

Equipped with a quick coupling system, they are specifically designed for use with the 360° Rotating Platform, ensuring precise integration and immediate installation.

## OVERSIZE SYSTEM



## Dimensional Drawing:



**Master Code:** SET\_XTRK\_OVERSIZE

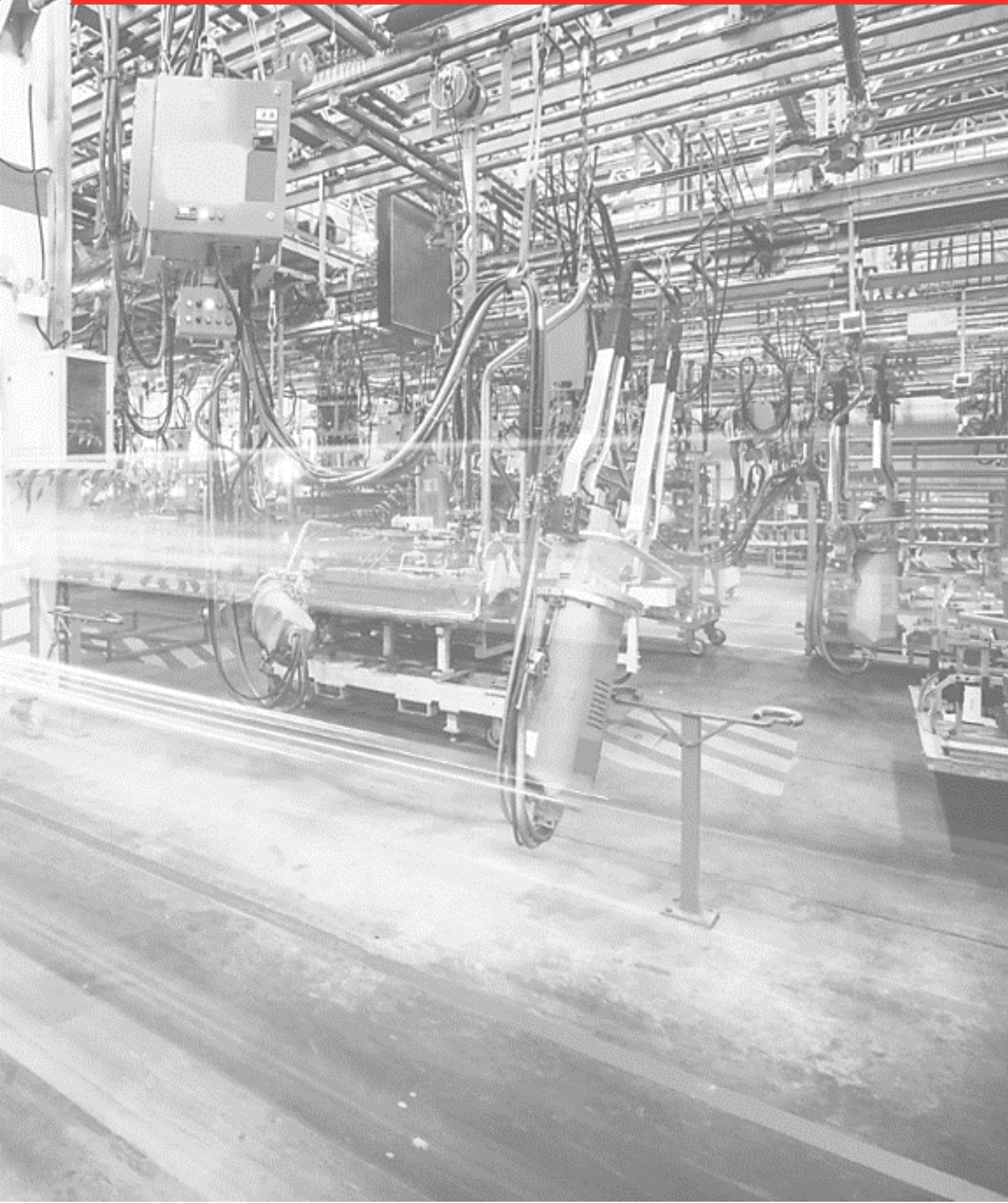
**Description:** Oversize configuration consisting of a front rotating platform and an additional rear trolley (load on trolley max 900 kg), designed for the longitudinal transport of large-sized loads on **XTRACK**.

The system enables stable handling of long or bulky elements by distributing the load across two rotating support points, improving balance and manoeuvrability.

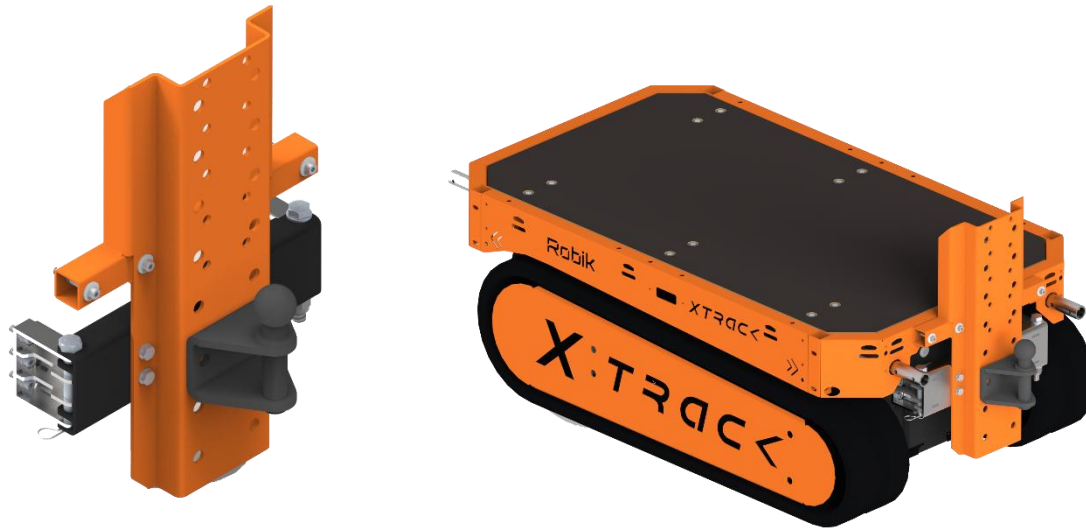
The rear trolley is equipped with a 360° rotating platform and, when not connected to the machine, can be manually handled via a dedicated control lever.

Solution developed for construction sector applications, where safe handling of structural materials, beams and oversized components is required.

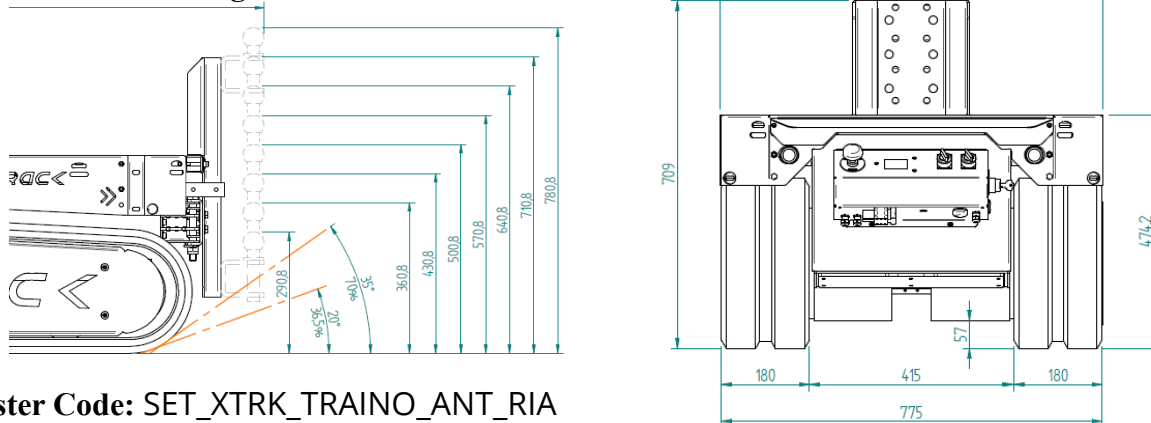
# TOWING ACCESSORIES



## ADJUSTABLE FRONT TOW COUPLING



## Dimensional Drawing:



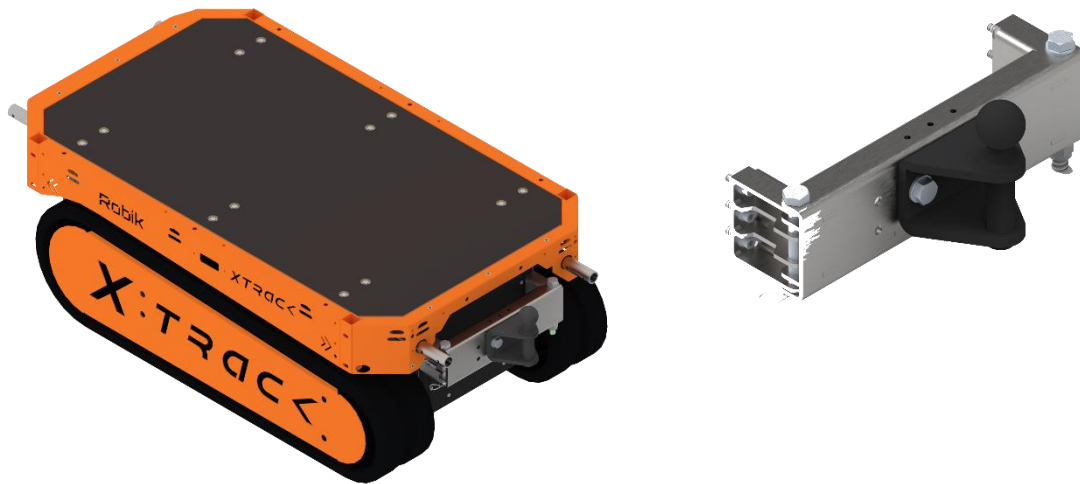
**Master Code:** SET\_XTRK\_TRAINO\_ANT\_RIA

**Description:** Front tow coupling system for **XTRACK**, designed for towing and front coupling applications.

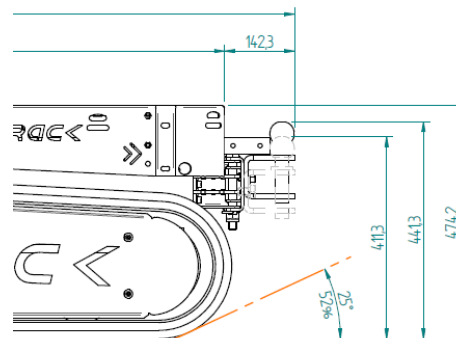
Equipped with adjustable **omega brackets with 8 heights** it allows adaptation of the coupling point according to the height and configuration of the towed equipment.

It features a quick-release system and a rotatable assembly, facilitating removal operations and ensuring direct access to the battery compartment for maintenance and serving. **Notes:** Robust and modular solution designed to combine operational flexibility with ease of use.

## FRONT TOW COUPLING BATTERY SIDE



## Dimensional Drawing:



**Master Code:** SET\_XTRK\_TRAINO\_ANT

**Description:** Front tow coupling system, installed on the battery compartment side of **X:TRACK**, designed for towing and controlled handling operations.

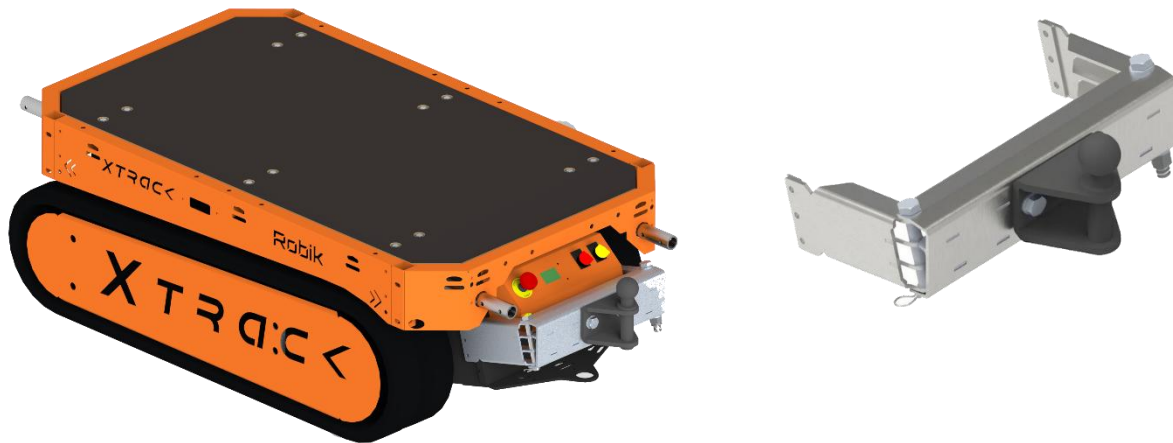
The structure is rigidly mounted to the machine frame and features a removable quick-release pin, allowing rotation of the front assembly to ensure easy access to the battery compartment for servicing and maintenance.

Available in the following configurations:

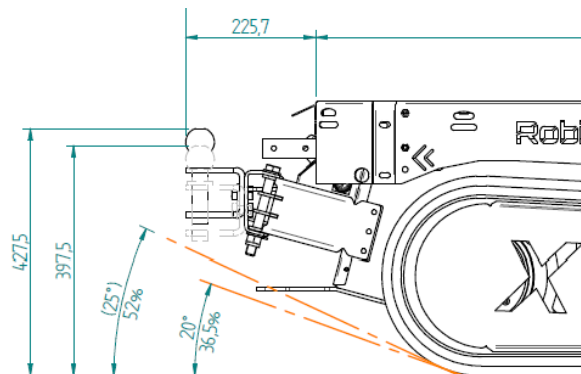
- Tow coupling with certified pin
- Standard tow ball

**Notes:** Solution designed to combine structural robustness, operational practicality and application flexibility.

## REAR TOW COUPLING CONTROL SIDE



### Dimensional Drawing:



**Master Code:** SET\_XTRK\_TRAINO\_POST

**Description:** Rear tow coupling system, installed on the control side of *XTRACK*, designed for towing and controlled handling operations.

The structure is rigidly mounted to the machine frame and features a removable quick-release pin, allowing rotation of the front part of the assembly to ensure easy access to the controls and servicing operations.

Available in the following configurations:

- Tow coupling with certified pin
- Standard tow ball

**Notes:** Solution designed to combine structural robustness, operational practicality and application flexibility.

# POWER SUPPLY ACCESSORIES



## STANDARD BATTERIES



**Master Code:** SET\_XTRK\_BATT\_STD

**Description:** Power supply configuration consisting of 4 AGM batteries, 12 V – 100 Ah each, designed to ensure reliability and operational continuity on **XTRACK**.

The system includes a dedicated 48 V – 15 A high-frequency battery charger, ensuring efficient and controlled charging of the battery pack.

Ideal solution for industrial applications requiring a robust, stable and easy-to-manage power source.

## LITHIUM BATTERY

Extended range - Fast Charging



**Master Code:** SET\_XTRK\_BATT\_MS48120L-CE

**Description:** Configuration with 1 lithium battery, with a total capacity of 51.2 V – 120 Ah, ideal for high-demand cyclic applications on **XTRACK**.

LiFePO<sub>4</sub> Deep Cycle technology, designed to ensure over 3.500 life cycles, high thermal stability and operational continuity under heavy-duty conditions.

IP65 protection rating, with continuous output up to 120 A, ensuring consistent performance and reliability in industrial and outdoor environments.

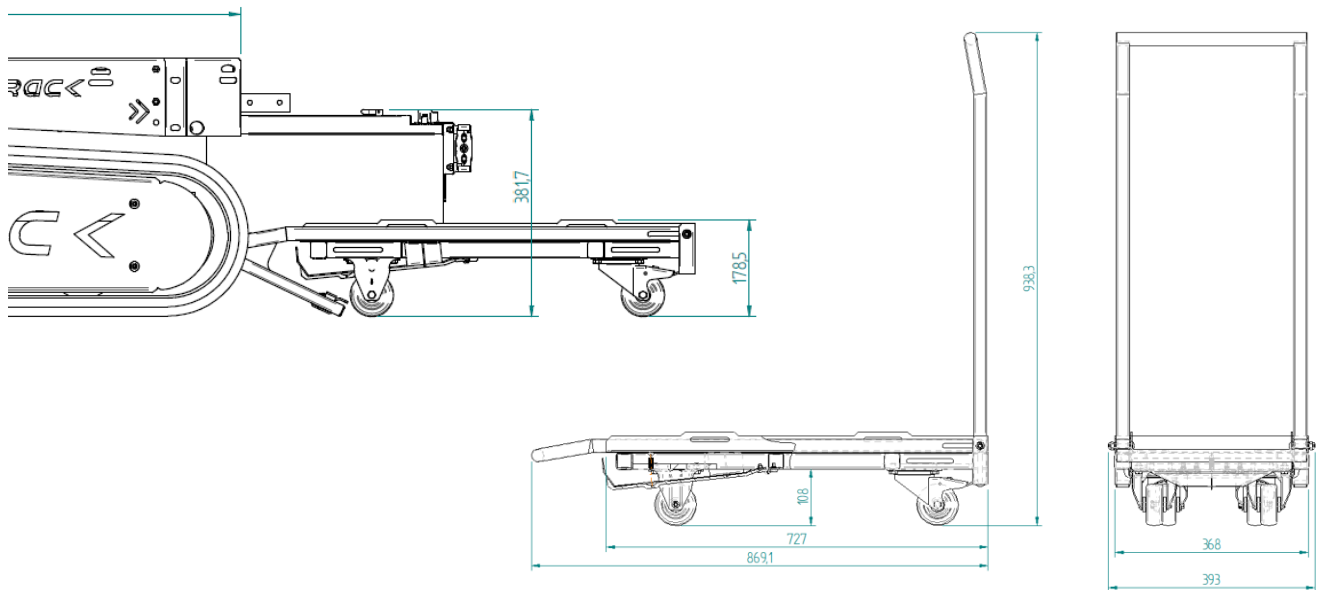
Includes a dedicated 48 V – 50 A high-frequency fast charger.

**Notes:** Recommended solution for configurations requiring extended runtime, reduced maintenance and maximum energy efficiency.

## LITHIUM BATTERY TROLLEY



### Dimensional Drawing:



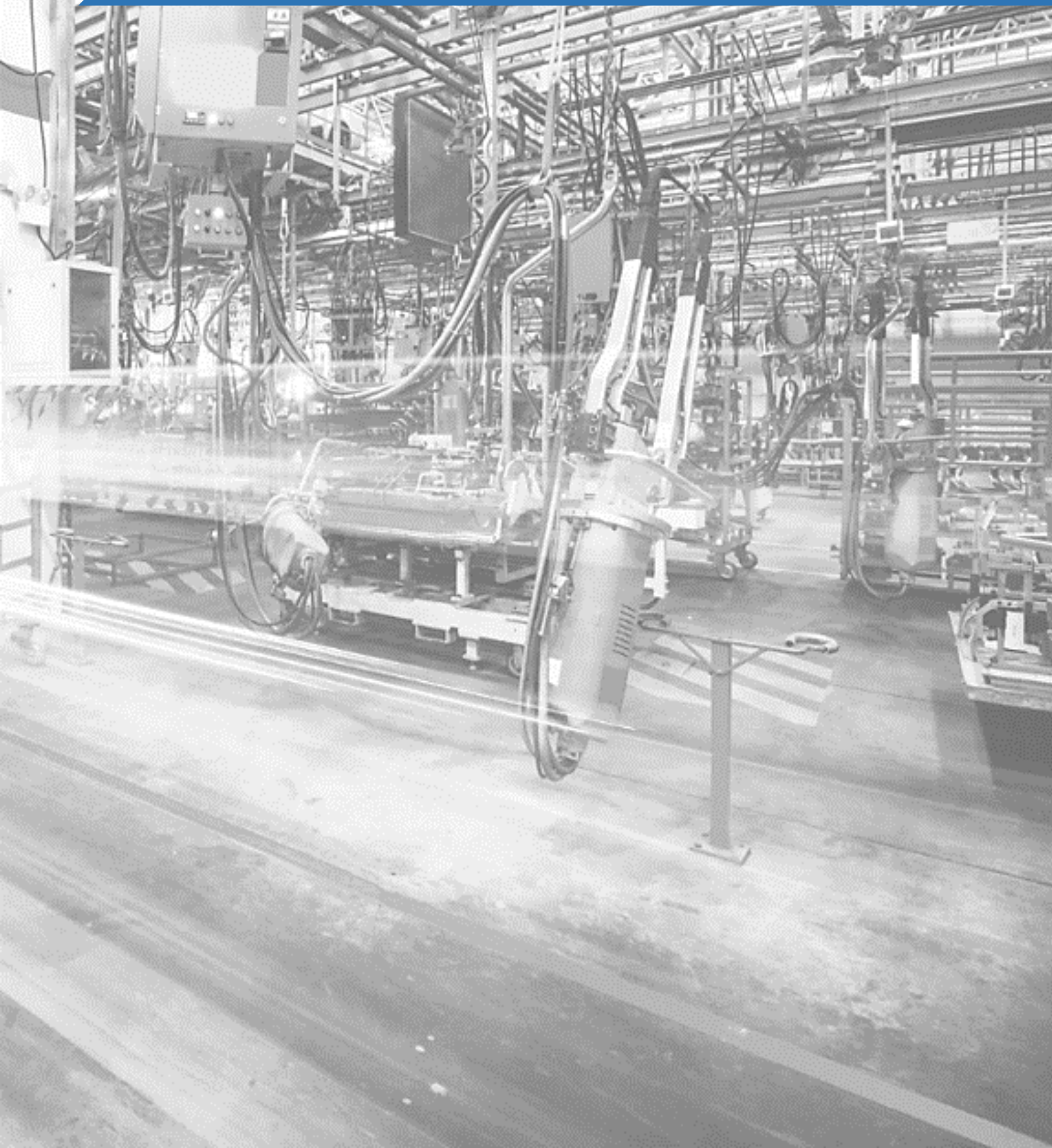
**Master Code:** SET\_XTRK\_BATT\_MS48120L-CE

**Description:** Trolley designed to facilitate the removal and installation of the **XTRAC** lithium battery.

Equipped with a handle for transport and a machine anchoring system to ensure safe alignment during battery handling operations.

It features anti-scratch guides and a sliding rail system, allowing smooth, controlled and safe battery transfer during replacement or maintenance operations.

# MISCELLANEOUS ACCESSORIES



## TRACKER



**Master Code:** SET\_XTRK\_TRACKER

**Description:** Advanced remote monitoring and fleet management system, compatible with *XTRACK* and the entire Robik range. It enables real-time location tracking, route history and operating hours monitoring. It integrates access control via magnetic key or 125 kHz badges, ensuring use by authorized personnel only. The system allows remote lock or speed limitation, impact detection with immediate notifications and geofencing management with alerts or automatic actions. It supports maintenance scheduling, periodic report generation and operator communication via an optional display. CAN-BUS compatibility ensures machine parameter monitoring, providing full technical control, continuous supervision and maximum efficiency in fleet management.

**Notes:** Different monitoring and control system are available, each with specific features. To identify the most suitable solution, please contact your sales representative and request a customized proposal.

## ACCESS CONTROL SYSTEM



**Master Code:** SET\_XTRK\_BADGE

**Description:** SMARTPASS SMARTReader Plus is an advanced access control system designed to enhance operational safety and usage traceability of Robik equipment. Thanks to *start-and-go* technology, vehicle authorization is enabled through recognition of the company badge already in use: simply bring it close to the reader to allow start-up. The device continuously records granted or denied access, impacts and operational events, storing date and time on internal memory. Log export is immediate via a dedicated USB drive, with no need for SIM cards or external connections.

Built with high-resistance materials and featuring an IP65 protection rating, the module is designed for heavy-duty industrial environments. It is supplied with diver badges, a master badge for adding and removing operators and a maintenance badge that enables service mode by disabling the control logic.

The SMARTPASS Control Panel® software platform allows centralized system management, including bulk operator authorization/revocation, adjustment of impact and movement thresholds, general device configuration, log reading and firmware updates.

The system operates with a 12 - 110 Vdc power supply, within an operating temperature range of - 20°C to +40°C and supports tags compliant with ISO/IEC 14443 A&B standards.



**SATES & ROBIK S.R.L**

Via dell'Artigianato 36,  
Casalserugo 35020 (PD) - ITALIA

Tel: +39 049 643487

P.I. e C.F. 05712940286

[www.robik.it](http://www.robik.it)

[supporto@robik.it](mailto:supporto@robik.it)